

Stoffschieber, beidseitig dichtend/ Knife gate valve, bidirectional Typ

HPA-7300, DN 50 - 600

Technische Daten

Bauform

Zwischenflansch Stoffschieber
Gehäuse: EN-GJS-400-15 EKB
Schieberplatte: AISI 304 oder AISI 316
Dichtung: NBR
Stopfbuchspackung: NBR
Oberteil: Edelstahl
nichtsteigende Spindel und Handrad
Flansche nach DIN 2501 PN 10,
DN 350 + DN 400: PN 8
DN 500 + DN 600: PN 6
Baulänge nach EN 558-1 GR 20 (K1)

Specification

Design

Wafer type knife gate valve
body: EN-GJS-400-15 EKB
gate: AISI 304 or AISI 316
seat: NBR
packing: NBR
support plates: stainless steel
non rising stem and handwheel
flanges according to DIN 2501 PN 10
DN 350 + DN 400: PN 8,
DN 500 + DN 600: PN 6
face to face according EN 558-1 series
20 (K1)

Typ

HPA-7300.125.NN:
Schieberplatte AISI 304

Typ

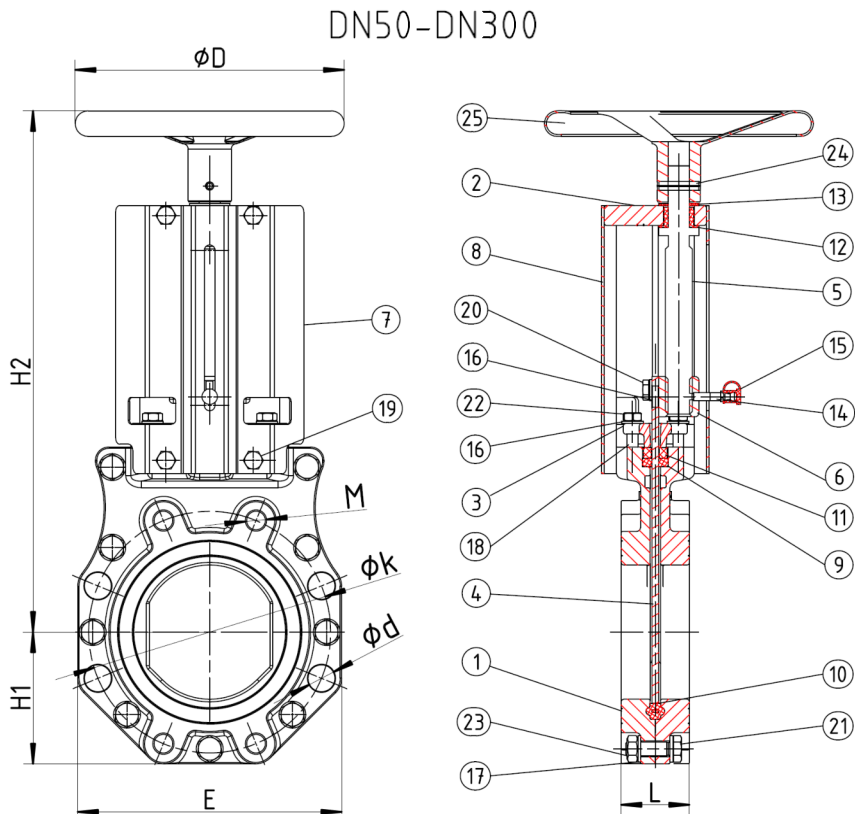
HPA-7300.126.NN:
Schieberplatte AISI 316

Type

HPA-7300.125.NN:
gate AISI 304

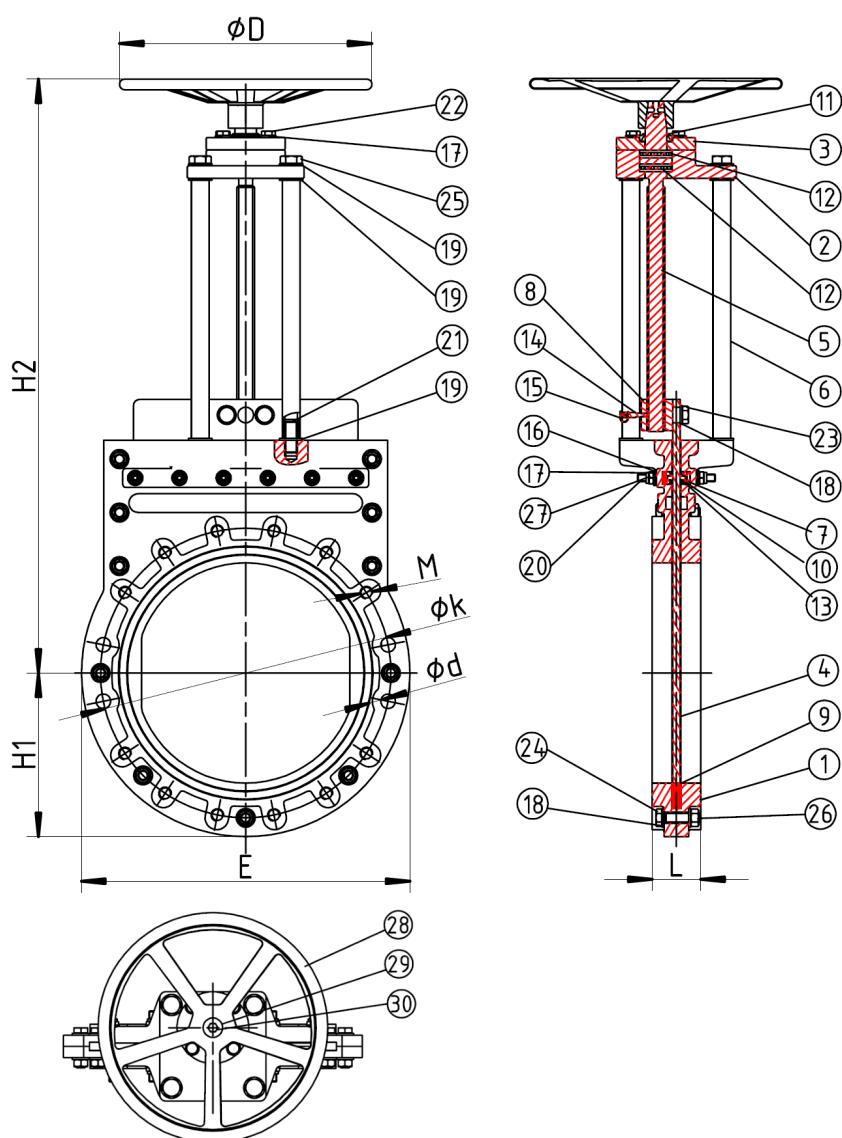
Type

HPA-7300.126.NN:
gate AISI 316



Item	Description	Material
1	Body	GGG
2	Support	GGG
3	Gland	GGG
4	Plate	1.4301
5	Stem	1.4057
6	Stem Nut	Alubronze
7	Side Plate	A2
8	Side Plate	A2
9	Gasket	NBR
10	Body Gasket	NBR
11	Pressure Plate	POM
12	Bushing	POM
13	Washer	POM
14	Oiler	Steel Zinced
15	Oiler Cap	PE
16	Washer	A2
17	Washer	A2
18	Socket Screw	A2
19	Bolt	A2
20	Bolt	A2
21	Bolt	A2
22	Nut	A2
23	Nut	A2
24	Pin	A2
25	Handwheel	GGG

Design DN350-600



Item	Description	Material
1	Body	GGG
2	Support	GGG
3	Cover	GGG
4	Plate	1.4301
5	Stem	1.4057
6	Rod	1.4301
7	Pressure Plate	1.4301
8	Stem Nut	Alubronze
9	Body Gasket	NBR
10	Gasket	NBR
11	Scraper	NBR
12	Axial Bearing	Steel
13	Packing	Ramie PTFE
14	Oiler	Steel Zinced
15	Oiler Cap	PE
16	Washer	PA 6
17	Washer	A2
18	Washer	A2
19	Washer	A2
20	Socket Screw	A2
21	Socket Screw	A2
22	Bolt	A2
23	Bolt	A2
24	Bolt	A2
25	Bolt	A2
26	Nut	A2
27	Nut	A2
28	Handwheel	Steel
29	Washer	A2
30	Bolt	A2

DN	PN	L	E	H1	H2	ϕD	M	ϕk	Z - ϕd	kg	Turns
50	10	43	136	70	306	200	4x M16	125	-----	7	12.5
65	10	46	156	80	332	200	4x M16	145	-----	2.5	16.25
80	10	46	178	90	355	200	4x M16	160	4x $\phi 19$	10	20
100	10	52	196	100	388	200	4x M16	180	4x $\phi 19$	12.5	25
125	10	56	224	115	427	200	4x M16	210	4x $\phi 19$	17.5	31.25
150	10	56	260	130	485	250	4x M20	240	4x $\phi 23$	22	30
200	10	60	317	160	590	300	4x M20	295	4x $\phi 23$	33.5	40
250	10	68	382	200	695	300	8x M20	350	4x $\phi 23$	51	50
300	10	78	430	225	790	400	8x M20	400	4x $\phi 23$	69.5	60
350	8	78	520	260	970	400	12x M20	460	4x $\phi 23$	109	70
400	8	102	580	290	1090	400	12x M24	515	4x $\phi 29$	155	67
500	6	127	715	360	1280	500	16x M24	620	4x $\phi 29$	257	83
600	6	154	780	390	1475	500	16x M27	725	4x $\phi 32$	328	100