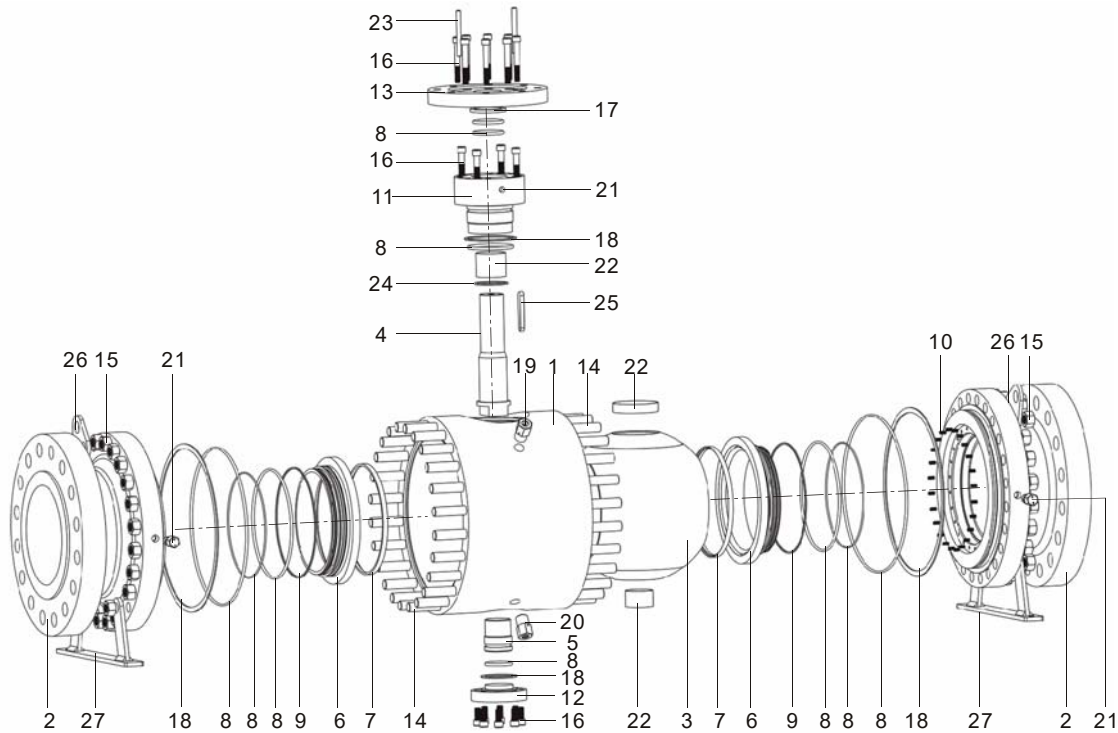


3-Teiliger Kugelhahn | Trunnion Mounted | EN 12516-1 / DIN 3357
DIN PN 16 | 25 | 40* andere Druckstufen auf Anfrage
DIN DN 100 - 600



No.	Parts Name	Material			
		DIN/ANSI	DIN/ANSI	DIN/ANSI	DIN/ANSI
1/2	Body/ Cap	A105	LF2	A182- F304	A182- F316
3	Ball	A105+ENP	LF2+ENP	A182-F304	A182-F316
4/5	Stem/ Trunnion	42CrMo+ENP	42CrMo+ENP	A276-304	A276-316
6	Seat ring	A105+ENP	LF2+ENP	A182-F304	A182-F316
7	Sealing ring	PTFE / RPTFE/ NYLON			
8	O-ring	Viton / FKM / Viton AED			
9	Seat packing	Braided graphite			
10	Spring	Inconel X-750			
11/12	Bonnet/ Bottom	A105	LF2	A182- F304	A182- F316
13	The top flange	Q235 / C.S.	Q345 / LF2	A182- F304	A182- F316
14	Stud	35CrMo / B7	42CrMo / L7	A2-70 / B8	A2-70 / B8
15	Nut	45 / 2H	30CrMo / 4	A2-70 / 8	A2-70 / 8
16	Screw	35CrMo / B7	42CrMo / L7	A2-70 / B8	A2-70 / B8
17	Packing	Graphite	Graphite	Graphite	Graphite
18	Sealing gasket	304+Graphite	304+Graphite	304+Graphite	316+Graphite
19/20	Release valve/ Drain valve	304	304	304	316
21	Grease fitting	304	304	304	316
22	Bearing	304+PTFE	304+PTFE	304+PTFE	316+PTFE
23	Positioning pin	304	304	304	316
24	Thrust washers	PTFE	PTFE	PTFE	PTFE
25	Key	45	45	45	45
26/27	Lug/ brackets	Q235 / C.S.	Q235 / C.S.	Q235 / C.S.	Q235 / C.S.

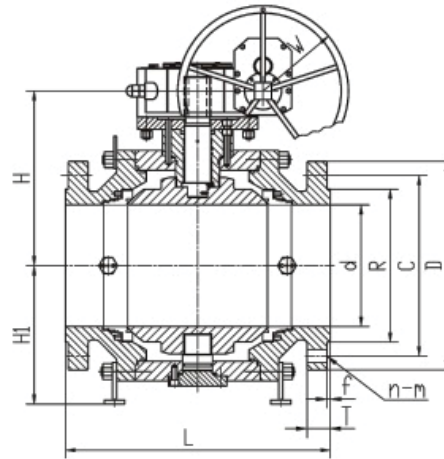
3-Teiliger Kugelhahn | Trunnion Mounted | EN 12516-1 / DIN 3357
DIN PN 16 | 25 | 40* andere Druckstufen auf Anfrage
DIN DN 100 - 600

Design features

1. 3PC Forged steel, split body, trunnion ball.
2. Blow-out proof stem.
3. Fire-proof and Anti-static structure.
4. Emergency grease seal design.
5. Double block and bleed function (DBB).

Standard specification

1. Design: DIN 3357-2 EN 12516-1
2. Fire Design: API 607
3. Face to Face: EN 558
 PN16/25: Series 3/12
 PN40: Series 4
4. Flange End: EN 1092-1
5. Inspection: EN 12266-1



PN16/25											
DN	Dimension					Flange dimension					
	d	L	H	H1	W	D	C	R	T	f	n-m
100	100	229	235	142	300	220/235	180/190	158/162	20/24	3	8-18 /8-22
150	150	394	280	225	600	285/300	240/250	212/218	22/28	3	8-22 /8-26
200	201	457	340	280	600	340/360	295/310	268/278	24/30	3	12-22 /12-26
250	252	533	380	310	600	405/425	355/370	320/335	26/32	3	12-26 /12-30
300	303	610	430	355	600	460/485	410/430	378/395	28/34	4	12-26 /16-30
350	334	686	460	370	600	520/555	470/490	438/450	30/38	4	16-26 /16-33
400	385	762	500	435	600	580/620	525/550	490/505	32/40	4	16-30 /16-36
450	436	864	574	500	750	640/670	585/600	550/555	40/46	4	20-30 /20-36
500	487	914	595	550	750	715/730	650/660	610/615	44/48	4	20-33 /20-36
600	589	1067	670	630	750	840/845	770	725/720	54/58	5	20-36 /20-39

PN40											
DN	Dimension					Flange dimension					
	d	L	H	H1	W	D	C	R	T	f	n-m
50	49	216	185	88	300	165	125	102	20	3	4-18
80	74	283	202	116	300	200	160	138	24	3	8-18
100	100	305	235	142	300	235	190	162	24	3	8-22
150	150	403	280	225	600	300	250	218	28	3	8-26
200	201	502	340	280	600	375	320	285	34	3	12-30
250	252	568	392	320	600	450	385	345	38	3	12-33
300	303	648	425	360	600	515	450	410	42	4	16-33
350	334	762	456	400	600	580	510	465	46	4	16-36
400	385	838	500	450	600	660	585	535	50	4	16-39
450	436	914	585	500	750	685	610	560	57	4	20-39
500	487	991	610	570	750	755	670	615	57	4	20-42
600	589	1143	730	650	750	890	795	735	72	5	20-48