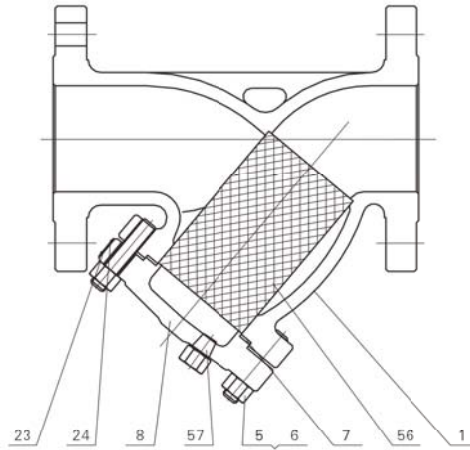


Strainer



Y-Strainer

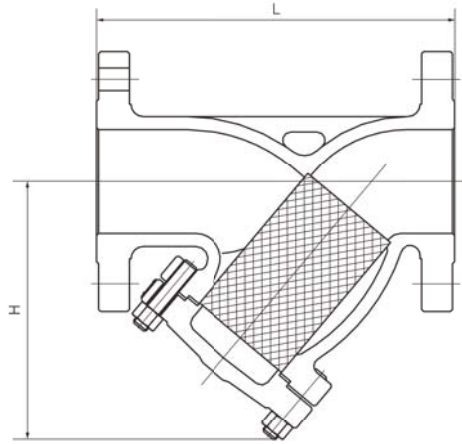


Main parts material sheet

Item	Part name	WCB	CF8	CF3	CF3M	CE3MN
1	Body	A216 WCB	A351 CF8	A351 CF3	A351 CF3M	CE3MN
5	Bolt	A193 B7	A193 B8	A193 B8	A193 B8M	A193 B8M
6	Nut	A194 2H	A194 8	A194 8	A194 8M	A194 8M
7	Gasket	Graphite	Graphite	Graphite	Graphite	Graphite
8	Bonnet	A216 WCB	A351 CF8	A351 CF3	A351 CF3M	CE3MN
23	Nameplate	AISI 304	AISI 304	AISI 304	AISI 304	AISI 304
24	Rivet	AL	AL	AL	AL	AL
56	Strainer net	304	304	304	316	316
57	Waste plug	1035	304	304	316	316

Note: please give strainer net mesh when you order

Y-Strainer



Please give strainer net mesh when you order

CL150

Spec (NAP)	in	1/2	3/4	1	1 1/2	2	2 1/2	3	4	6	8
Face to face(mm)	L	130	150	160	200	230	290	310	350	480	600
Center height(mm)	H	70	70	95	135	165	180	189	235	345	410
Weight (Kg)		1.8	3	6	8	10	13	15	26	53	76

CL300

Spec (NAP)	in	1/2	3/4	1	1 1/2	2	2 1/2	3	4	6	8
Face to face(mm)	L	130	150	160	200	230	290	310	350	480	600
Center height(mm)	H	70	70	95	135	165	180	189	235	345	410
Weight (Kg)		3	5	8	10	13	20	40	60	83	112

CL600

Spec (NAP)	in	1/2	3/4	1	1 1/2	2	2 1/2	3	4	6	8
Face to face(mm)	L	160	160	175	230	250	290	310	350	480	560
Center height(mm)	H	80	80	110	150	180	195	200	255	370	430
Weight (Kg)		2.5	5	10	12	15	25	50	75	113	155