

Gate Valves



◆ Cast steel gate valve design structure and feature

Design and manufacture conform to API 600, API 6D & ASME B 16.34 Test and check conform to API 598.

◆ Adopt the following structure

Full bore

Flexible or rigid disc or soft seal structure

Self-centering gland or plate Renewable seat

Bolted bonnet, spiral wound eight-square gasket

sealing bonnet or pressure seal bonnet



◆ According to the following standard

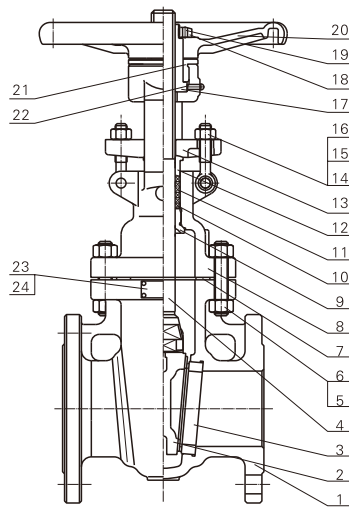
Flange ends conform to ASME B 16.5 & ASME B 16.47A

Butt-welding end conform to ASME B 16.25

Face to face dimension conform to ASME B 16.10, API 600, API 6D

Operation type: electrical, pneumatic, hydraulic and gear etc

Gate Valve

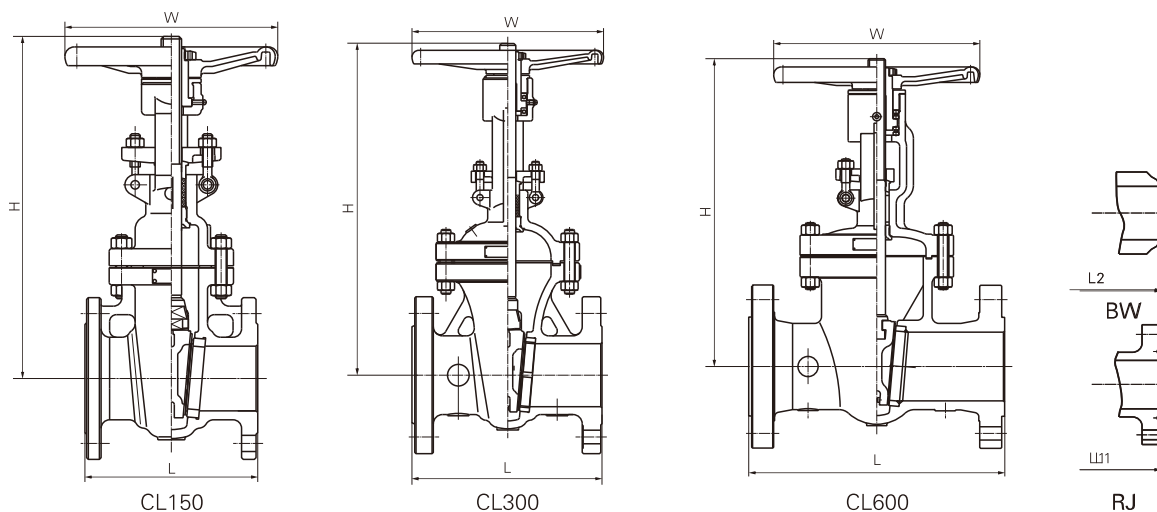


Main parts material sheet

Item	Part name	WCB	C5	WC6	CF8	CF8M	
1	Body	A216 WCB	A217 C5	A217 WC6	A351 CF8	A351 CF8M	
2	Wedge disc	A216 WCB/STL.6	A217 C5/STL.6	A217 WC6/STL.6	A351 CF8	A351 CF8M	
3	Seat	A105/STL.6	A182 F11/STL.6	A182 F11/STL.6	A182 F304/STL.6	A182F 316/STL 6	
4	Stem	A182 F6a	A182 F6a	A182 F6a	A182 304	A479 316	
5	Bolt	A193 B7	A193 B7	A193 B7	A193 B8	A193 B8M	
6	Nut	A194 2H	A194 2H	A194 2H	A194 8	A194 8M	
7	Gasket 150Lb	304+flexible graphite				316+flexible graphite	
	Gasket 300Lb	304+flexible graphite				Spiral wound	
	Gasket ≥600Lb	F304				Spiral wound	
8	Bonnet	A216 WCB	A217 C5	A217 WC6	A351 CF8	A351 CF8M	
9	Backseat	A182 F6a	A182 F6a	A182 F6a	A182 F6a	A182 F316	
10	Packing	304+flexible graphite				Pillar 6610+6528	
11	Distance Ring	A182 F6a	A182 F6a	A182 F6a	A182 F304	A182 F316	
12	Packing gland	A182 F6a	A182 F6a	A182 F6a	A182 F304	A182 F316	
13	Packing plate	A216 WCB	A216 WCB	A216 WCB	A351 CF8	A351 CF8	
14	Eye bolt	A193 B7	A193 B7	A193 B7	A193 B8	A193 B8	
15	Nut	A194 2H	A194 2H	A194 2H	A194 8	A194 8	
16	Pin	1035	1035	1035	304	304	
17	Stem nut	A439 Type D2	A439 Type D2	A439 Type D2	A439 Type D2	A439 Type D2	
18	Locking nut	1035	1035	1035	1035	1035	
19	Locking screw	1035	1035	1035	1035	1035	
20	Hand wheel	AISI 1118	AISI 1118	AISI 1118	AISI 1118	AISI 1118	
21	Bearing gland	1035	1035	1035	1035	1035	
22	Oil cap	Finished product	Finished product	Finished product	Finished product	Finished product	
23	Nameplate	AISI 304	AISI 304	AISI 304	AISI 304	AISI 304	
24	Rivet	AL	AL	AL	AL	AL	

Note: the distance ring should be installed if user require

Gate Valves



CL150

Spec (NPS)	in	2	2 1/2	3	4	5	6	8	10	12	14	16	18	20	24	28	30	32	36	40	42	48	60
Face to face(mm)	L	178	190	203	229	254	267	292	330	356	381	406	432	457	508	610	610	660	711	762	787	914	1067
	L1	191	203	216	241	267	279	305	343	368	394	419	445	470	521	-	-	-	-	-	-	-	-
	L2	216	241	283	305	381	403	419	457	502	572	610	660	711	813	914	914	965	1060	1067	1118	-	-
Center height(mm)	H	341	371	402	472	530	587	743	904	1047	1172	1297	1433	1590	1898	2050	2330	2533	2800	-	-	-	-
Hand wheel diameter(mm)	W	200	200	250	280	300	300	350	400	450	500	600	680	750	800	-	-	-	-	-	-	-	-
Weight (Kg)		20	30	33	49	60	75	120	205	290	400	511	650	789	1200	1800	2560	3060	3500	-	-	-	-

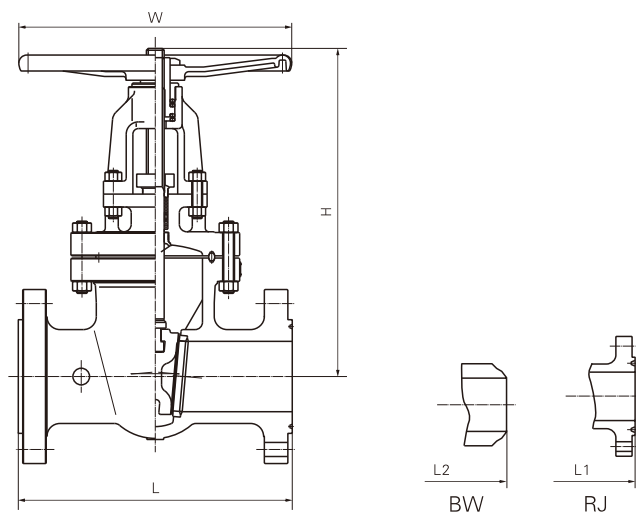
CL300

Spec (NPS)	in	2	2 1/2	3	4	5	6	8	10	12	14	16	18	20	24	28	30	32	36
Face to face(mm)	L	216	241	283	305	381	403	419	457	502	762	838	914	991	1143	1346	1397	1524	1727
	L1	232	257	298	321	397	419	435	473	518	778	854	930	1010	1165	1371	1422	1552	1755
	L2	216	241	283	305	381	403	419	457	502	762	838	914	991	1143	1346	1397	1524	1727
Center height(mm)	H	345	376	407	478	535	618	765	929	1094	1188	1329	1455	1860	2030	-	-	-	-
Hand wheel diameter(mm)	W	200	200	250	300	300	350	400	450	500	550	680	750	920	-	-	-	-	-
Weight (Kg)		24	36	47	69	89	123	196	333	440	710	950	1405	1720	2770	3312	4100	5200	6700

CL600

Spec (NPS)	in	2	2 1/2	3	4	5	6	8	10	12	14	16	18	20	24	28	30	32	36
Face to face(mm)	L	292	330	356	432	508	559	660	787	838	889	991	1092	1194	1397	1549	1651	1778	2083
	L1	295	333	359	435	511	562	664	791	841	892	994	1095	1200	1407	1562	1664	1794	2096
	L2	292	330	356	432	508	559	660	787	838	889	991	1092	1194	1397	1549	1651	1778	2083
Center height(mm)	H	377	443	465	525	610	672	820	983	1120	1283	1429	1572	1757	1985	2230	2475	2300	2950
Hand wheel diameter(mm)	W	200	250	280	300	400	450	500	680	750	700	-	-	-	-	-	-	-	-
Weight (Kg)		39	52	88	114	-	285	413	650	800	1140	1700	2268	2850	3500	-	-	-	-

Gate Valve



CL900

Spec (NPS)	in	2	2 1/2	3	4	5	6	8	10	12	14	16	18	20	24
Face to face(mm)	L	368	419	381	457	559	610	737	838	965	1029	1130	1219	1321	1549
	L1	371	422	384	460	562	613	740	841	968	1039	1140	1232	1334	1568
	L2	368	419	381	457	559	610	737	838	965	1029	1130	1219	1321	1549
Center height(mm)	H	445	480	513	613	730	834	875	1040	1150	1360	1520	1830	2100	2610
Hand wheel diameter(mm)	W	300	300	350	400	500	600	600	650	700	-	-	-	-	-
Weight (Kg)		72	101	130	197	285	404	650	1376	1177	1500	1920	-	-	-

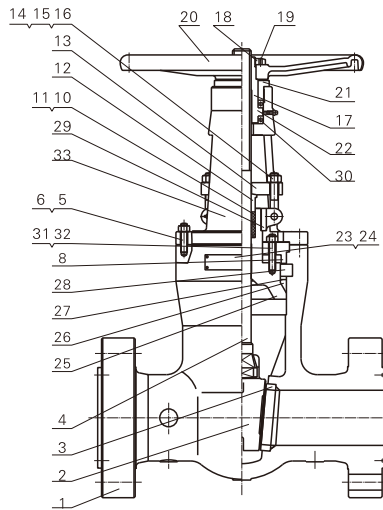
CL1500

Spec (NPS)	in	2	2 1/2	3	4	5	6	8	10	12	14	16	18	20	24
Face to face(mm)	L	368	419	470	546	673	705	832	991	1130	1257	1384	1537	1664	1943
	L1	371	422	473	549	676	711	842	1001	1146	1276	1406	1559	1686	1971
	L2	368	419	470	546	673	705	832	911	1130	1257	1384	1537	1664	1943
Center height(mm)	H	462	512	550	752	927	1120	1390	1524	1850	2180	2210	-	-	-
Hand wheel diameter(mm)	W	300	350	400	550	550	600	700	800	-	-	-	-	-	-
Weight (Kg)		85	130	170	304	-	646	1100	1600	2106	2700	3500	-	-	-

CL2500

Spec (NPS)	in	2	2 1/2	3	4	5	6	8	10	12	14	16	18	20	24
Face to face(mm)	L	451	508	578	673	794	914	1022	1270	1422					
	L1	454	514	584	683	807	927	1038	1292	1444					
	L2	451	508	578	673	794	914	1022	1270	1422					
Center height(mm)	H	520	630	730	880	1020	1120	1350	1600	1900					
Hand wheel diameter(mm)	W	300	350	400	500	600	700	800	-	-					
Weight (Kg)		-	-	-	-	-	-	-	-	-					

Gate Valves

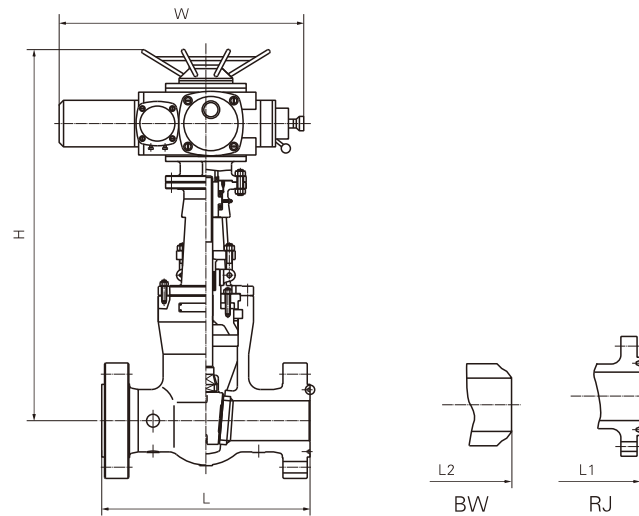


Main parts material sheet

Item	Part name	WCB	C5	WC6	CF8	CF8M	
1	Body	A216 WCB	A217 C5	A217 WC6	A351 CF8	A351 CF8M	
2	Wedge disc	A216 WCB/STL.6	A217 C5/STL.6	A217 WC6/STL.6	A351 CF8	A351 CF8M	
3	Seat	A105/STL.6	A182 F11/STL.6	182 F11/STL.6	A182 F304	A182 F316	
4	Stem	A182 F6a	A182 F6a	A182 F6a	A182 F304	A182 F316	
5	Bolt	A193 B7	A193 B7	A193 B7	A193 B8	A193 B8M	
6	Nut	A194 2H	A194 2H	A194 2H	A194 8	A194 8M	
8	Bonnet	A216 WCB	A216 WCB	A216 WCB	A351 CF8	A351 CF8	
10	Packing	304+flexible graphite				Pillar 6610+6528	
11	Distance ring	A182 F6a	A182 F6a	A182 F6a	A182 F304	A182 F316	
12	Packing gland	A182 F6a	A182 F6a	A182 F6a	A182 F304	A182 F316	
13	Packing plate	A216 WCB	A216 WCB	A216 WCB	A351 CF8	A351 CF8	
14	Eye bolt	A193 B7	A193 B7	A193 B7	A193 B8	A193 B8	
15	Nut	A194 2H	A194 2H	A194 2H	A194 8	A194 8	
16	Pin	1035	1035	1035	304	304	
17	Stem bolt	A439 Type D2	A439 Type D2	A439 Type D2	A439 Type D2	A439 Type D2	
18	Locking nut	1035	1035	1035	1035	1035	
19	Locking screw	1035	1035	1035	1035	1035	
20	Hand wheel	AISI 1118	AISI 1118	AISI 1118	AISI 1118	AISI 1118	
21	Bearing gland	1035	1035	1035	1035	1035	
22	Oil cup	Finished product	Finished product	Finished product	Finished product	Finished product	
23	Nameplate	AISI 304	AISI 304	AISI 304	AISI 304	AISI 304	
24	Rivet	AL	AL	AL	AL	AL	
25	Pressure seal seat	A216 WCB	A217 C5	A217 WC6	A351 CF8	A351 CF8M	
26	Pressure seal gasket	304+flexible graphite					
27	Pressure seal ring	A182 F6a	A182 F6a	A182 F6a	A182 F304	A182 F316	
28	Segment ring	A182 F6a	A182 F11	A182 F11	A182 F304	A182 F316	
29	Hanger Roke	A216 WCB	A216 WCB	A216 WCB	A351 CF8	A351 CF8	
30	Bearing	40Cr	40Cr	40Cr	40Cr	40Cr	
31	Hanger bolt	A193 B7	A193 B7	A193 B7	A193 B8	A193 B8M	
32	Nut	A194 2H	A194 2H	A194 2H	A194 8	A194 8M	
33	Roke	A216 WCB	A216 WCB	A216 WCB	A351 CF8	A351 CF8	

Note: the distance ring should be installed if user require

Gate Valve



CL900

Spec (NPS)	in	2	2 1/2	3	4	6	8	10	12	14	16
Face to face(mm)	L	368	419	381	457	610	737	838	965	1029	1130
	L1	371	422	384	460	613	740	841	968	1039	1140
	L2	216	254	305	356	508	660	787	914	991	1092
Center height(mm)	H	445	252	660	666	928	-	-	-	-	-
Hand wheel diameter(mm)	W	300	300	350	400	600	-	-	-	-	1960
Weight (Kg)		50	74	90	110	195	505	745	1060	1410	-

CL1500

Spec (NPS)	in	2	2 1/2	3	4	6	8	10	12	14	16
Face to face(mm)	L	368	419	470	546	705	832	991	1130	1257	1384
	L1	371	422	473	549	711	842	1001	1146	1276	1406
	L2	216	254	305	406	559	711	864	991	1067	1104
Center height(mm)	H	485	554	672	768	-	-	-	-	-	-
Hand wheel diameter(mm)	W	300	350	400	560	-	-	-	-	-	-
Weight (Kg)		50	74	90	158	350	690	1030	1460	1810	2760

CL2500

Spec (NPS)	in	2	2 1/2	3	4	6	8	10	12	14	16
Face to face(mm)	L	451	508	578	673	914	1022	1270	1422		
	L1	454	514	584	683	927	1038	1292	1444		
	L2	279	330	368	457	610	762	914	1041		
Center height(mm)	H	594	753	840	880	-	-	-	-		
Hand wheel diameter(mm)	W	350	400	560	600	-	-	-	-		
Weight (Kg)		60	100	110	200	530	750	1610	3010		

Globe valve



◆ Cast steel globe valve design structure and feature

Design and manufacture conform to ASME16.34 & BS 1873, Test and check conform to API 598.

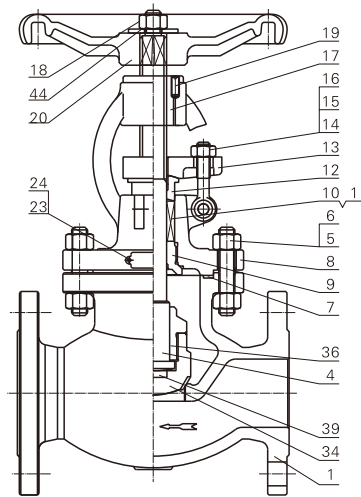
◆ Adopt the following structure

Taper sealing disc or soft sealing structure
Self-centering gland or plate Renewable seat
Bolted bonnet, spiral would eight-square gasket sealing
bonnet or pressure seal bonnet

◆ According to the following standard

Flange ends conform to ASME B 16.5
Butt-welding end conform to ASME B 16.25
Face to face dimension conform to ASME B 16.10
Operation type: electrical, pneumatic, hydraulic and gear drive etc

Globe Valve

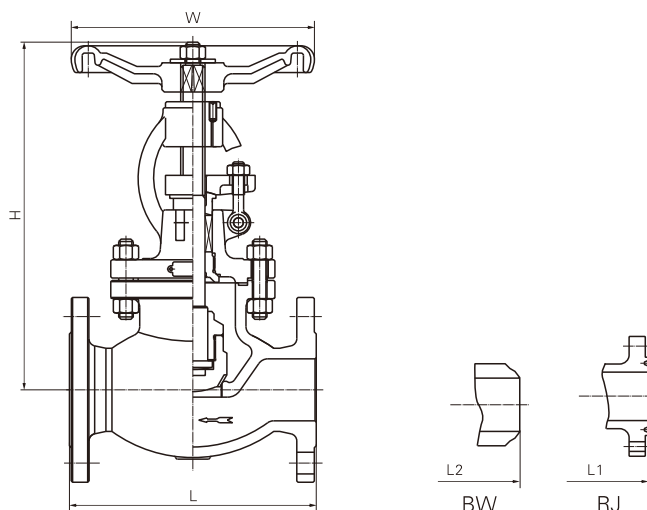


Main parts material sheet

Item	Part name	WCB	C5	WC6	CF8	CF8M
1	Body	A216 WCB	A217 C5	A217 WC6	A351 CF8	A351 CF8M
4	Stem	A182 F6a	A182 F6a	A182 F6a	A182 F6a	A479 316
5	Bolt	A193 B7	A193 B7	A193 B7	A193 B8	A193 B8M
6	Nut	A194 2H	A194 2H	A194 2H	A194 8	A194 8M
7	Gasket 150Lb	Graphite				Graphite sheet
	Gasket 300Lb	304+flexible graphite				Spiral wound
	Gasket ≥600Lb	F304				Spiral wound
8	Bonnet	A216 WCB	A217 C5	A217 WC6	A351 CF8	A351 CF8M
9	Backseat	A182 F6a	A182 F6a	A182 F6a	A182 F304	A182 F316
10	Packing	304+flexible graphite				Pillar 6610+6528
11	Distance ring	A182 F6a	A182 F6a	A182 F6a	A182 F304	A182 F316
12	Packing gland	A182 F6a	A182 F6a	A182 F6a	A182 F304	A182 F316
13	Packing plate	A216 WCB	A216 WCB	A216 WCB	A351 CF8	A351 CF8
14	Eye bolt	A193 B7	A193 B7	A193 B7	A193 B7	A193 B8
15	Nut	A194 2H	A194 2H	A194 2H	A194 2H	A194 8
16	Pin	1035	1035	1035	304	304
17	Stem nut	A439 Type D2	A439 Type D2	A439 Type D2	A439 Type D2	A439 Type D2
18	Locking nut	1035	1035	1035	1035	1035
19	Locking screw	1035	1035	1035	1035	1035
20	Hand wheel	AISI 1118	AISI 1118	AISI 1118	AISI 1118	AISI 1118
23	Nameplate	AISI 304	AISI 304	AISI 304	AISI 304	AISI 304
24	Rivet	AL	AL	AL	AL	AL
34	Disc	A105/STL.6	A335-P5/STL.6	A182 F11/STL.6	A182 F304	A182 F316
36	Disc cover	1035	304	304	304	316
39	垫块	410	410	410	304	304
44	washer	1035	1035	1035	1035	1035

Note: the distance ring should be installed if user require

Globe Valves



CL150

Spec (NPS)	in	2	2 1/2	3	4	5	6	8	10	12	14	16	18	20	24
Face to face(mm)	L	203	216	241	292	356	406	495	622	698	787	914	978	978	1295
	L1	216	229	254	305	369	419	508	635	711	800	927	991	991	1308
	L2	203	216	241	292	356	406	495	622	698	787	914	978	978	1295
Center height(mm)	H	350	362	385	490	455	537	707	788	820	898	930	980	1028	1134
Hand wheel diameter(mm)	W	220	250	280	320	320	400	450	560	580	-	-	-	-	-
Weight (Kg)		21	29	34	54	72	93	185	268	400	650	1113	-	-	-

Note: when DN more than 14 inch, the way of medium flowing is form high to low (double disc)

CL300

Spec (NPS)	in	2	2 1/2	3	4	5	6	8	10	12	14	16	18	20	24
Face to face(mm)	L	267	292	318	356	400	445	559	622	711	838	864	978	1016	1346
	L1	283	308	334	372	416	461	575	638	727	854	880	994	1035	1368
	L2	267	292	318	356	400	445	559	622	711	828	864	978	1016	1346
Center height(mm)	H	345	377	405	468	620	708	777	935	955	961	1010	1060	1100	1249
Hand wheel diameter(mm)	W	220	350	280	320	400	450	500	560	600	-	-	-	-	-
Weight (Kg)		28	36	50	75	140	200	287	510	720	-	-	-	-	-

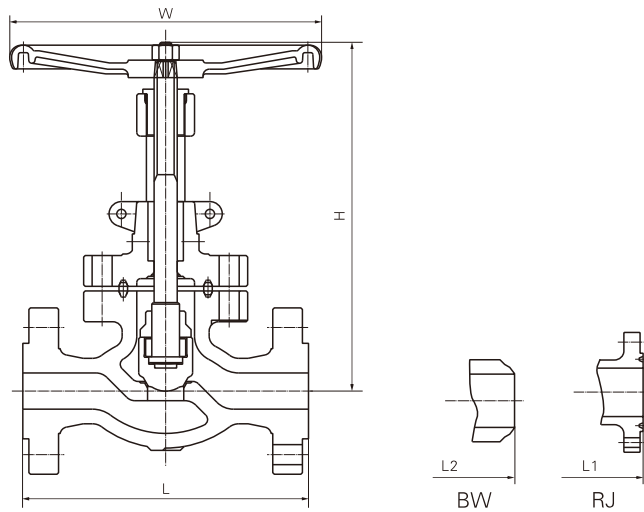
Note: when DN more than 10 inch , the way of medium flowing is form high to low (double disc)

CL600

Spec (NPS)	in	2	2 1/2	3	4	5	6	8	10	12	14	16
Face to face(mm)	L	292	330	356	432	508	559	660	787	838	889	991
	L1	295	333	359	435	511	562	663	790	841	892	994
	L2	292	330	356	432	508	559	660	787	838	889	991
Center height(mm)	H	385	430	475	685	770	901	913	1060	1227	1320	1540
Hand wheel diameter(mm)	W	285	280	320	400	500	550	600	650	760	-	-
Weight (Kg)		32	45	62	139	240	342	483	870	1067	-	-

Note: when DN more than 5 inch, the way of medium flowing is form high to low (double disc)

Globe Valve



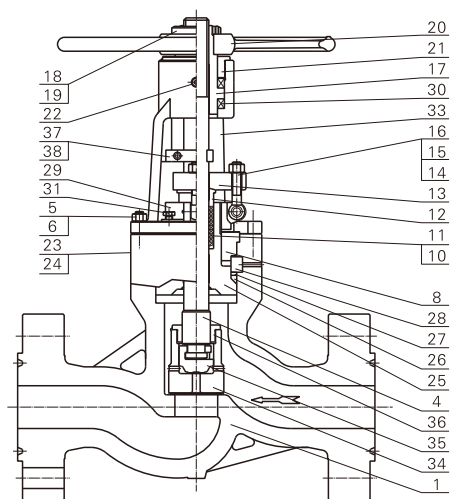
CL900

Spec (NPS)	in	2	2 1/2	3	4	6	8	10	12	14	16
Face to face(mm)	L	368	419	381	457	610	737	838	965	1029	1130
	L2	368	419	381	457	610	737	838	965	1029	1130
	L1	371	422	384	460	613	740	841	968	1039	1140
Center height(mm)	H	430	580	675	780	870	980	1010	1300	1400	1600
Hand wheel diameter(mm)	W	320	320	350	500	850	560	-	-	-	-
Weight (Kg)		58	92	144	225	502	720	-	-	-	-

CL1500

Spec (NPS)	in	2	2 1/2	3	4	6	8	10	12	14	16
Face to face(mm)	L	368	419	470	546	705	832	991	1130	1257	
	L1	371	422	473	549	711	842	1001	1146	1276	
	L2	368	419	470	546	705	832	991	1130	1257	
Center height(mm)	H	430	500	750	820	910	1015	1035	1350	1460	
Hand wheel diameter(mm)	W	320	400	450	600	700	800	-	-	-	
Weight (Kg)		66	115	188	292	620	808	-	-	-	

Globe Valve

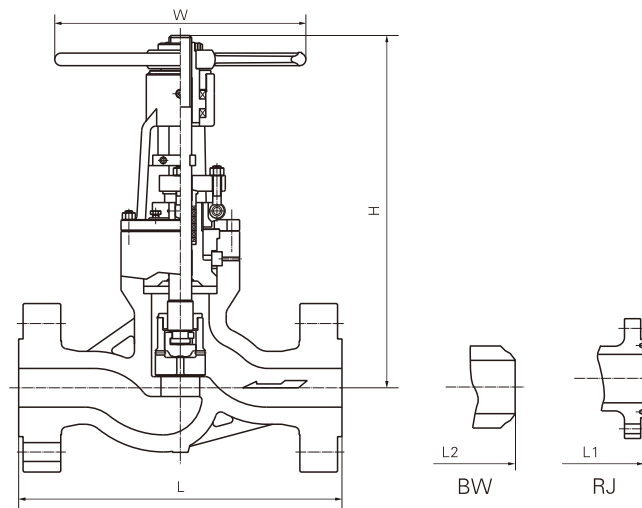


Main parts material sheet

Item	Part name	WCB	WC6	WC9	CF8	CF3M	CE3MN
1	Body	A216 WCB	WC6	WC9	CF8	CF3M	CE3MN
4	Stem	A182 F6a	A182 F6a	A182 F6a	A182 F304	F316L	F53
5	Bolt	A193 B7	A193 B7	A193 B7	A193 B8	A193 B8M	A193 B8M
6	Nut	A194 2H	A194 2H	A194 2H	A194 8	A194 8M	A194 8M
8	Bonnet	A216 WCB	A216 WCB	A216 WCB	A351 Cf8	A351 Cf8	A351 Cf8
10	Packing	Flexible graphite	Flexible graphite	Flexible graphite	Flexible graphite	Flexible graphite	Flexible graphite
11	Distance ring	A182 F6a	A182 F6a	A182 F6a	A182 F304	F316L	F53
12	Packing gland	A182 F6a	A182 F6a	A182 F6a	A182 F304	F316L	F53
13	Packing plate	A216 WCB	A216 WCB	A216 WCB	A182 CF8	A182 Cf8	A182 Cf8
14	Eye bolt	A193 B7	A193 B7	A193 B7	A193 B8	Flexible graphite	Flexible graphite
15	Nut	A194 2H	A194 2H	A194 2H	A194 8	A194 8M	A194 8M
16	Pin	1035	1035	1035	304	304	304
17	Stem bolt	A439 D2	A439 D2	A439 D2	A439 D2	A439 D2	A439 D2
18	Locking nut	1035	1035	1035	1035	1035	1035
19	Locking screw	1035	1035	1035	1035	1035	1035
20	Hand wheel	AISI 1118	AISI 1118	AISI 1118	AISI 1118	AISI 1118	AISI 1118
21	Bearing gland	1035	1035	1035	1035	1035	1035
22	Oil cup	Finished product	Finished product	Finished product	Finished product	Finished product	Finished product
23	Nameplate	304	304	304	304	304	304
24	Rivet	AL	AL	AL	AL	AL	AL
25	Pressure seal seat	A216 WCB	A216 Wc6	A216 Wc9	Cf8	CF3M	CE3MN
26	Pressure seal gasket	304+flexible graphite	304+flexible graphite	304+flexible graphite	304+flexible graphite	304+flexible graphite	304+flexible graphite
27	Pressure seal ring	A182 F6a	A182 F304	A182 F304	A182 F304	A182 F316L	A182 F53
28	Segment ring	A182 F6a	A182 F11	A182 F22	A182 F304	A182 F316L	A182 F53
29	Hanger Roke	A216 WCB	A216 WCB	A216 WCB	CF8	CF8	CF8
30	Bearing	40Cr	40Cr	40Cr	40Cr	40Cr	40Cr
31	Hanger bolt	A193 B7	A193 B7	A193 B7	A193 B8	A193 B8	A193 B8
33	Roke	A216 WCB	A216 WCB	A216 WCB	CF8	CF8	CF8
34	Main disc	A105	A182 F11	A182 F22	A182 F304	A182 F316L	A182 F53
35	Auxiliary disc	A105	A182 F11	A182 F22	A182 F304	A182 F316L	A182 F53
36	Disc cover	1035	1035	1035	A182 F304	A182 F316L	A182 F53
37	Guide pad	1045	1045	1045	1045	1045	1045
38	Hex. Bolt	A193 B7	A193 B7	A193 B7	A193 B7	A193 B7	A193 B7

Note: the distance ring should be installed if user require

Globe Valve



CL900

Spec (NAP)	in	2	2 ^{1/2}	3	4	6	8	10	12	14
Face to face(mm)	L	368	419	381	457	610	737	838	965	1029
	L1	371	422	384	460	613	740	841	968	1039
	L2	216	254	305	356	508	660	787	914	990
Center height(mm)	H	457	457	457	584	825	990	1186	1320	1524
Hand wheel diameter(mm)	W	406	406	406	406	711	711	914	914	914
Weight (Kg) weld		41	41	41	90	261	437	727	1030	1534
Weight (Kg) flange		68	68	68	124	346	600	929	1324	2009

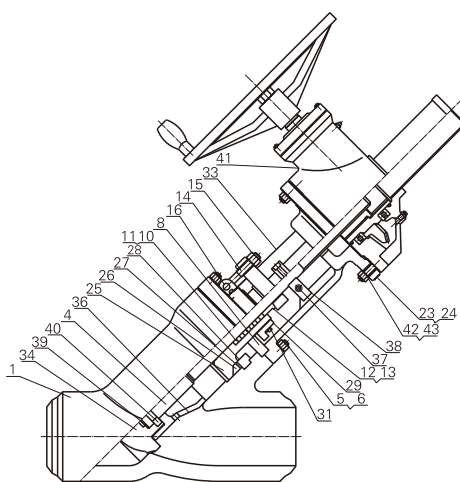
CL1500

Spec (NAP)	in	2	2 ^{1/2}	3	4	6	8	10	12
Face to face(mm)	L	368	419	470	546	705	832	991	1130
	L1	371	422	473	549	711	842	1001	1146
	L2	216	256	305	406	559	711	864	991
Center height(mm)	H	482	482	577	685	933	1193	1270	1447
Hand wheel diameter(mm)	W	406	406	406	406	711	914	914	1066
Weight (Kg) weld		47	47	79	151	367	626	1163	1835
Weight (Kg) flange		75	75	115	208	503	852	1533	2390

CL2500

Spec (NAP)	in	2	2 ^{1/2}	3	4	6	8	10	12
Face to face(mm)	L	451	508	578	673	914	1022	1270	1422
	L2	279	330	368	457	610	762	914	1041
	L1	454	524	584	683	927	1038	1292	1444
Center height(mm)	H	495	495	603	685	971	1200	1416	1524
Hand wheel diameter(mm)	W	406	406	406	406	711	914	1066	1066
Weight (Kg) weld		74	74	114	140	459	767	1320	1905
Weight (Kg) flange		117	117	195	260	770	1238	2222	3310

Globe Valve

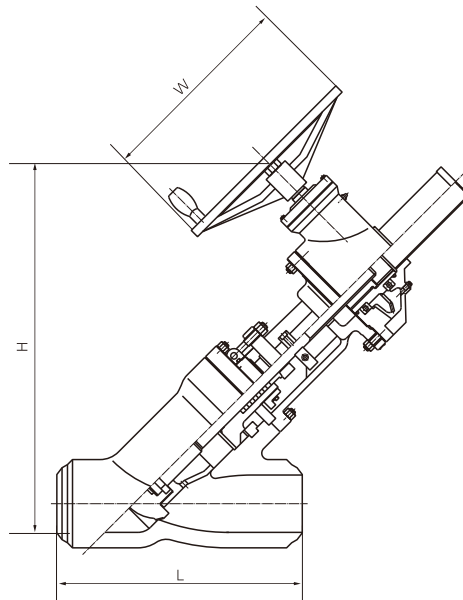


Main parts material sheet

Item	Part name	WCB	C5	WC6	CF8	CF8M	
1	Body	A216 WCB	A217 C5	A217 WC6	A351 CF8	A351 CF8M	
4	Stem	A182 F6a	A182 F6a	A182 F6a	A182 F304	A182 F316	
5	Bolt	A193 B7	A193 B7	A193 B7	A193 B8	A193 B8M	
6	Nut	A194 2H	A194 2H	A194 2H	A194 8	A194 8M	
8	Bonnet	A216 WCB	A216 WCB	A216 WCB	A351 CF8M	A351 CF8M	
10	Packing	304+flexible graphite				Pillar 6610+6528	
11	Distance ring	A182 F6a	A182 F6a	A182 F6a	A182 F304	A182 F316	
12	Packing gland	A182 F6a	A182 F6a	A182 F6a	A182 F304	A182 F316	
13	Packing plate	A216 WCB	A216 WCB	A216 WCB	A351 CF8	A351 CF8	
14	Eye bolt	A193 B7	A193 B7	A193 B7	A193 B8	A193 B8	
15	Nut	A194 2H	A194 2H	A194 2H	A194 8	A194 8	
16	Pin	1035	1035	1035	304	304	
23	Nameplate	AISI 304	AISI 304	AISI 304	AISI 304	AISI 304	
24	Rivet	AL	AL	AL	AL	AL	
25	Pressure seal seat	A216 WCB	A217 C5	A217 WC6	A351 CF8	A351 CF8M	
26	Pressure seal gasket	304+flexible graphite					
27	Pressure seal ring	A182 F6a	A182 F6a	A182 F6a	A182 F304	A182 F316	
28	Segment ring	A182 F6a	A182 F11	A182 F11	A182 F304	A182 F316	
29	Hanger Roke	A216 WCB	A216 WCB	A216 WCB	A351 CF8	A351 CF8	
31	Hanger bolt	A193 B7	A193 B7	A193 B7	A193 B8	A193 B8M	
33	Roke	A216 WCB	A216 WCB	A216 WCB	A351 CF8	A351 CF8	
34	Disc	A105/STL.6	A182 F11	A182 F11/STL.6	A182 F304	A182 F316	
36	Disc cover	A216 WCB	A217 C5	A217 WC6	A351 CF8	A351 CF8M	
37	Guide pad	1045	1045	1045	1045	1045	
38	Hex. Bolt	A193 B7	A193 B7	A193 B7	A193 B7	A193 B7	
39	Gasket	410	410	410	304	304	
40	Split ring	410	410	410	304	316	
41	Bevel gear	Finished product	Finished product	Finished product	Finished product	Finished product	
42	Bolt	A193 B7	A193 B7	A193 B7	A193 B7	A193 B7	
43	Nut	A194 2H	A194 2H	A194 2H	A194 2H	A194 2H	

Note: the distance ring should be installed if user require

Globe Valve



CL600

Spec (NPS)	in	6-8	10	12	14	16
Face to face(mm)	L	584	711	813	813	1041
Center height(mm)	H	648	899	1157	1157	1956
Hand wheel diameter(mm)	W	711	914	1219	1219	1219
Weight (Kg)		372	830	1161	1161	2527

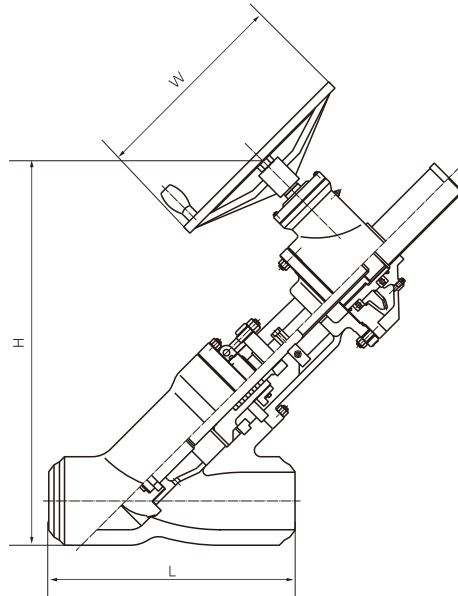
Spec (NPS)	in	10 x 8 x 10	12 x 10 x 12	14 x 12 x 14	16 x 14 x 16	18 x 16 x 18
Face to face(mm)	L	584	711	813	813	1041
Center height(mm)	H	648	899	1157	1157	1956
Hand wheel diameter(mm)	W	711	914	1219	1219	1219
Weight (Kg)		408	918	1281	1281	2778

CL900

Spec (NPS)	in	6	8	10	12	14	16	18	20
Face to face(mm)	L	705	762	921	1041	1092	1372	1600	1384
Center height(mm)	H	1028	1356	1615	1977	1977	2276	2492	2819
Hand wheel diameter(mm)	W	711	711	914	1219	1219	1219	1829	1829
Weight (Kg)		367	709	1318	1795	1795	3495	3550	4446

Spec (NPS)	in	8 x 6 x 8	10 x 8 x 10	12 x 10 x 12	14 x 12 x 14	16 x 14 x 16	18 x 16 x 18	20 x 18 x 20	22 x 20 x 22
Face to face(mm)	L	705	762	921	1014	1092	1372	1600	1384
Center height(mm)	H	1028	1356	1615	1977	1977	2276	2492	2819
Hand wheel diameter(mm)	W	711	711	914	1219	1219	1219	1829	1829
Weight (Kg)		367	675	1305	1845	1845	3600	3600	5850

Globe Valve



CL1500

Spec (NPS)	in	6	8	10	12	14
Face to face(mm)	L	705	862	921	1041	1092
Center height(mm)	H	1028	1356	1615	1977	1977
Hand wheel diameter(mm)	W	711	711	914	1219	1219
Weight (Kg)		367	709	1318	1795	1795

Spec (NPS)	in	8 x 6 x 8	10 x 8 x 10	12 x 10 x 12	14 x 12 x 14	16 x 14 x 16
Face to face(mm)	L	705	7652	921	1014	1092
Center height(mm)	H	1028	1356	1615	1977	1977
Hand wheel diameter(mm)	W	71	711	914	1219	1219
Weight (Kg)		404	786	1464	1991	1991

CL2500

Spec (NPS)	in	6	8	10	12	14	16	18	20
Face to face(mm)	L	610	762	914	1041	1238	1238	1473	1473
Center height(mm)	H	1270	1381	1551	1830	1983	1983	2489	2489
Hand wheel diameter(mm)	W	711	711	914	914	1219	1219	1829	1829
Weight (Kg)		682	750	1348	2157	3448	3448	5136	6864

Spec (NPS)	in	8 x 6 x 8	10 x 8 x 10	12 x 10 x 12	14 x 12 x 14	16 x 14 x 16	18 x 16 x 18	20 x 18 x 20	22 x 20 x 22
Face to face(mm)	L	600	762	914	1014	1238	1238	1473	1473
Center height(mm)	H	1270	1381	1551	1830	1983	1983	2489	2489
Hand wheel diameter(mm)	W	711	714	1219	1219	1219	1219	1829	1829
Weight (Kg)		682	846	1482	2395	3793	3793	5455	5455