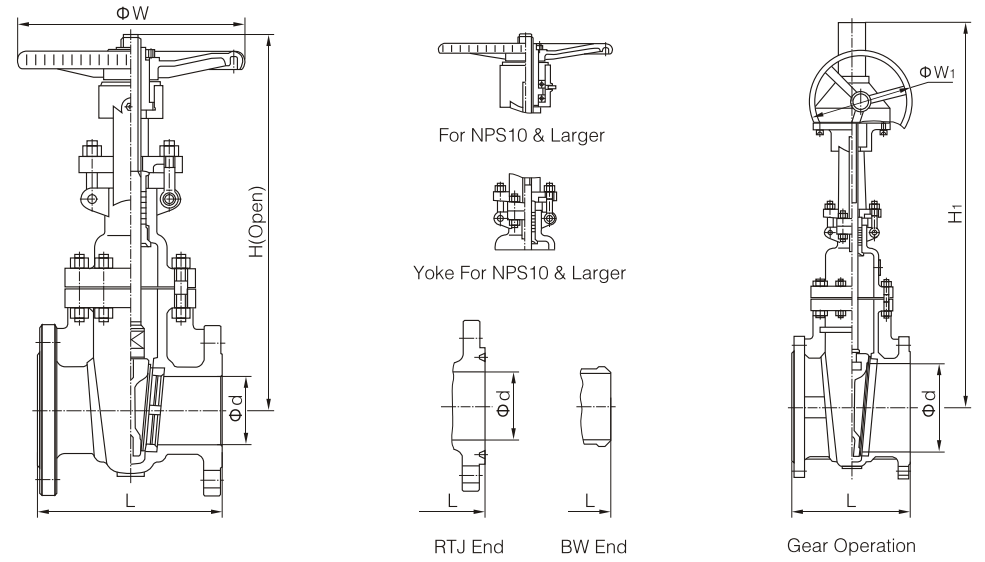
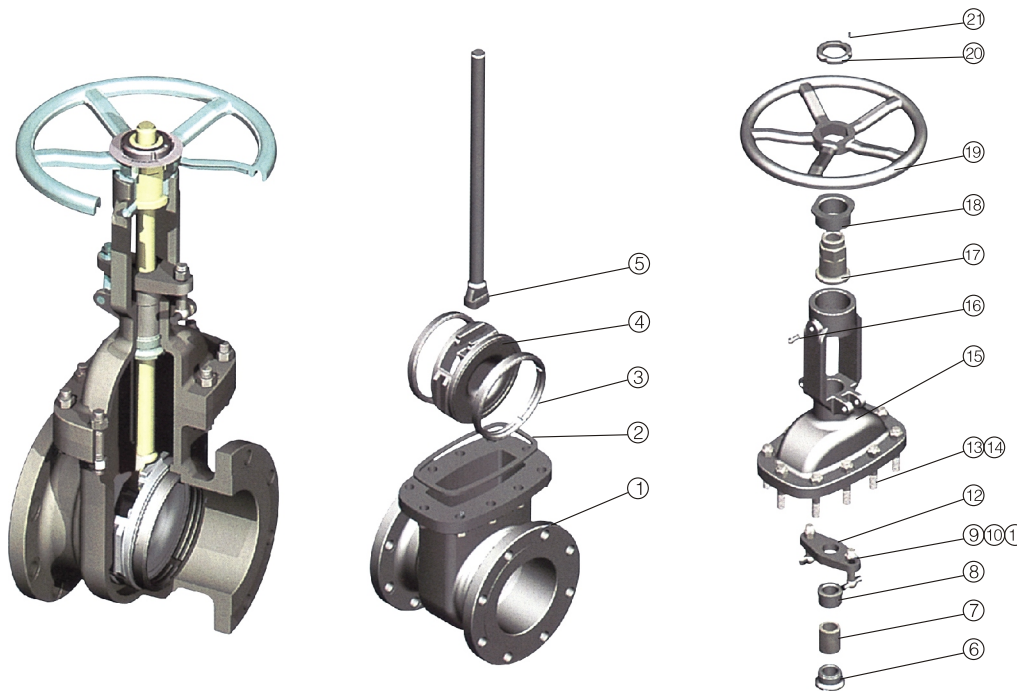


Cast Steel Gate Valve

Cast Steel Gate Valve



Form of Major Part Material

Parts No.	Parts Name	Materials				
		WCB/Trim 1	WCB/Trim 5	WCB/Trim 8	CF8/304	CF8M/316
1	Body	ASTM A216 WCB	ASTM A216 WCB	ASTM A216 WCB	ASTM A351 CF8	ASTM A351 CF8M
2	Gasket	Soft Iron + Graphite or 304 + Graphite			304 + Graphite	316 + Graphite
3	Seat ring	A105 + 13Cr	A105 + STL	A105 + STL	ASTM A351 CF8	ASTM A351 CF8M
4	Gate	ASTM A216 WCB + 13Cr	ASTM A216 WCB + STL	ASTM A216 WCB + 13Cr	ASTM A351 CF8	ASTM A351 CF8M
5	Stem	ASTM A182 F6a	ASTM A182 F6a	ASTM A182 F6a	ASTM A182 F304	ASTM A182 F316
6	Backseat bushing	ASTM A182 F6a	ASTM A182 F6a	ASTM A182 F6a	ASTM A351 CF8	ASTM A351 CF8M
7	Packing	Graphite	Graphite	Graphite	Graphite	Graphite
8	Gland	ASTM A182 F6a	ASTM A182 F6a	ASTM A182 F6a	ASTM A182 F304	ASTM A182 F316
9	Gland eyebolt	ASTM A193 B7	ASTM A193 B7	ASTM A193 B7	ASTM A193 B8	ASTM A193 B8M
10	Eyebolt nut	ASTM A194 2H	ASTM A194 2H	ASTM A194 2H	ASTM A194 8	ASTM A194 8M
11	Eyebolt pin	ASTM A36	ASTM A36	ASTM A36	304ss	316ss
12	Gland flange	ASTM A216 WCB	ASTM A216 WCB	ASTM A216 WCB	ASTM A351 CF8	ASTM A351 CF8M
13	Bonnet bolt	ASTM A193 B7	ASTM A193 B7	ASTM A193 B7	ASTM A193 B8	ASTM A193 B8M
14	Bonnet nut	ASTM A194 2H	ASTM A194 2H	ASTM A194 2H	ASTM A194 8	ASTM A194 8M
15	Bonnet	ASTM A216 WCB	ASTM A216 WCB	ASTM A216 WCB	ASTM A351 CF8	ASTM A351 CF8M
16	Nipple	Carbon steel	Carbon steel	Carbon steel	Carbon steel	Carbon steel
17	Stem nut	ASTM A439 D2	ASTM A439 D2	ASTM A439 D2	ASTM A439 D2	ASTM A439 D2
18	Yoke sleeve nut	Carbon steel	Carbon steel	Carbon steel	Carbon steel	Carbon steel
19	Hand wheel	Ductile Iron	Ductile Iron	Ductile Iron	Ductile Iron	Ductile Iron
20	Hand wheel nut	Carbon steel	Carbon steel	Carbon steel	Carbon steel	Carbon steel
21	Set screw	ASTM A193 B7	ASTM A193 B7	ASTM A193 B7	ASTM A193 B7	ASTM A193 B7

Note: The chart above only lists out some common composition of steel gate valve parts. We may provide other different parts material composition according to the customer's request or the actual valve working condition.

Class	Size		Dimensions(mm)						Weight(kg)			
	NPS	DN	L			d	H	H ₁	W	W ₁	H.W	G.O
			RF	RTJ	BW							
Class300	1/2	15	140	151	140	14	198	-	120	-	6	-
	3/4	20	152	165	152	19	215	-	140	-	7	-
	1	25	165	178	165	25	245	-	160	-	10	-
	1 1/4	32	178	191	178	32	306	-	180	-	15	-
	1 1/2	40	190	203	190	38	400	-	200	-	21	-
	2	50	216	232	216	51	420	-	200	-	25	-
	2 1/2	65	241	257	241	64	446	-	200	-	30	-
	3	80	283	298	283	76	537	-	250	-	48	-
	4	100	305	321	305	102	619	650	280	310	73	100
	5	125	381	397	381	127	722	750	300	310	99	126
	6	150	403	419	403	152	806	835	350	310	130	186
	8	200	419	435	419	203	1000	1030	400	310	208	235
	10	250	457	473	457	254	1240	1280	450	310	334	386
	12	300	502	518	502	305	1425	1460	500	310	450	502
	14	350	762	778	762	337	1585	1620	600	460	704	756
	16	400	838	854	838	387	1790	1830	500	460	923	965
	18	450	914	930	914	438	1960	2000	650	460	1131	1224
	20	500	991	1010	991	489	2158	2220	750	460	1345	1400
	24	600	1143	1165	1143	591	2576	2620	900	600	2122	2385
	26	650	1245	1270	1245	633	-	2850	-	600	-	3000
	28	700	1346	1372	1346	684	-	3080	-	600	-	3300
30	750	1397	1422	1397	735	-	3180	-	600	-	3550	
32	800	1524	1553	1524	779	-	3300	-	600	-	4400	
34	850	1626	1654	1626	830	-	3550	-	600	-	5200	
36	900	1727	1756	1727	874	-	3760	-	600	-	6050	