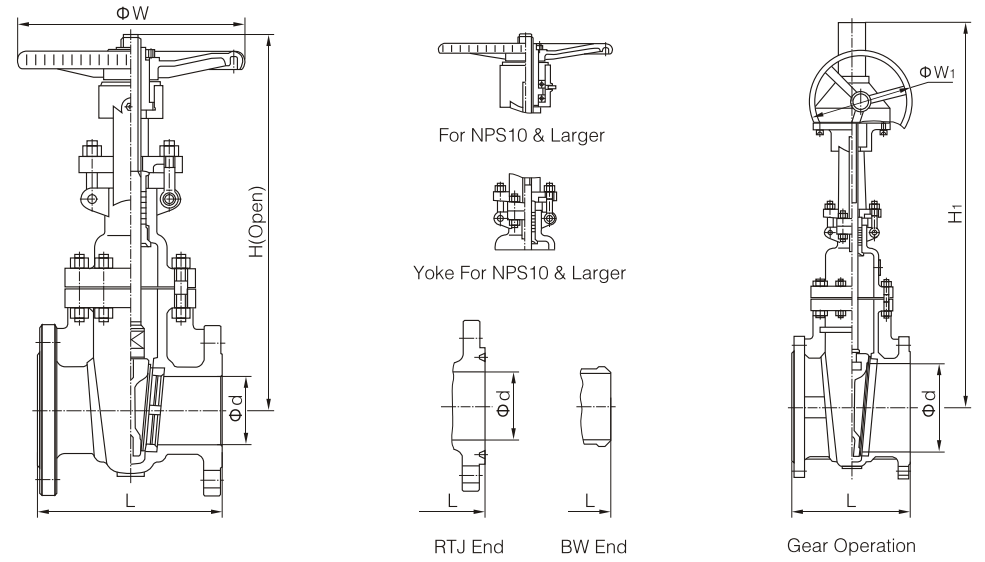
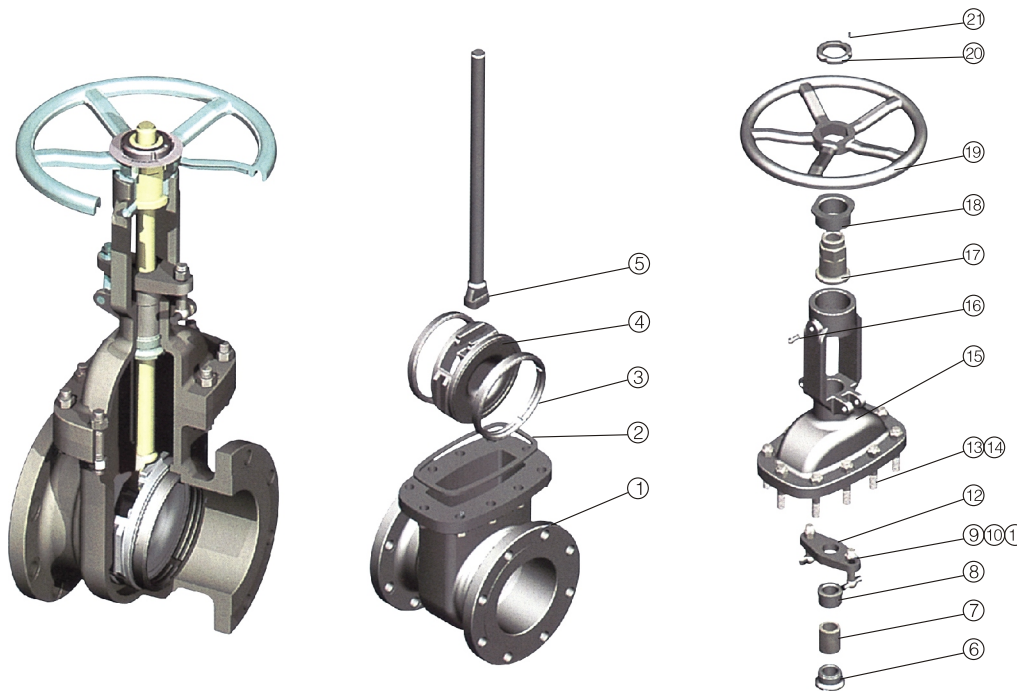


### Cast Steel Gate Valve

### Cast Steel Gate Valve



#### Form of Major Part Material

Parts No.	Parts Name	Materials				
		WCB/Trim 1	WCB/Trim 5	WCB/Trim 8	CF8/304	CF8M/316
1	Body	ASTM A216 WCB	ASTM A216 WCB	ASTM A216 WCB	ASTM A351 CF8	ASTM A351 CF8M
2	Gasket	Soft Iron + Graphite or 304 + Graphite			304 + Graphite	316 + Graphite
3	Seat ring	A105 + 13Cr	A105 + STL	A105 + STL	ASTM A351 CF8	ASTM A351 CF8M
4	Gate	ASTM A216 WCB + 13Cr	ASTM A216 WCB + STL	ASTM A216 WCB + 13Cr	ASTM A351 CF8	ASTM A351 CF8M
5	Stem	ASTM A182 F6a	ASTM A182 F6a	ASTM A182 F6a	ASTM A182 F304	ASTM A182 F316
6	Backseat bushing	ASTM A182 F6a	ASTM A182 F6a	ASTM A182 F6a	ASTM A351 CF8	ASTM A351 CF8M
7	Packing	Graphite	Graphite	Graphite	Graphite	Graphite
8	Gland	ASTM A182 F6a	ASTM A182 F6a	ASTM A182 F6a	ASTM A182 F304	ASTM A182 F316
9	Gland eyebolt	ASTM A193 B7	ASTM A193 B7	ASTM A193 B7	ASTM A193 B8	ASTM A193 B8M
10	Eyebolt nut	ASTM A194 2H	ASTM A194 2H	ASTM A194 2H	ASTM A194 8	ASTM A194 8M
11	Eyebolt pin	ASTM A36	ASTM A36	ASTM A36	304ss	316ss
12	Gland flange	ASTM A216 WCB	ASTM A216 WCB	ASTM A216 WCB	ASTM A351 CF8	ASTM A351 CF8M
13	Bonnet bolt	ASTM A193 B7	ASTM A193 B7	ASTM A193 B7	ASTM A193 B8	ASTM A193 B8M
14	Bonnet nut	ASTM A194 2H	ASTM A194 2H	ASTM A194 2H	ASTM A194 8	ASTM A194 8M
15	Bonnet	ASTM A216 WCB	ASTM A216 WCB	ASTM A216 WCB	ASTM A351 CF8	ASTM A351 CF8M
16	Nipple	Carbon steel	Carbon steel	Carbon steel	Carbon steel	Carbon steel
17	Stem nut	ASTM A439 D2	ASTM A439 D2	ASTM A439 D2	ASTM A439 D2	ASTM A439 D2
18	Yoke sleeve nut	Carbon steel	Carbon steel	Carbon steel	Carbon steel	Carbon steel
19	Hand wheel	Ductile Iron	Ductile Iron	Ductile Iron	Ductile Iron	Ductile Iron
20	Hand wheel nut	Carbon steel	Carbon steel	Carbon steel	Carbon steel	Carbon steel
21	Set screw	ASTM A193 B7	ASTM A193 B7	ASTM A193 B7	ASTM A193 B7	ASTM A193 B7

Note: The chart above only lists out some common composition of steel gate valve parts. We may provide other different parts material composition according to the customer's request or the actual valve working condition.

Class	Size		Dimensions(mm)							Weight(kg)		
	NPS	DN	L			d	H	H <sub>1</sub>	W	W <sub>1</sub>	H.W	G.O
			RF	RTJ	BW							
Class150	1/2	15	108	119	108	14	195	-	120	-	4	-
	3/4	20	117	130	117	19	210	-	120	-	5	-
	1	25	127	140	127	25	240	-	140	-	7	-
	1 1/4	32	140	153	140	32	300	-	180	-	10	-
	1 1/2	40	165	178	165	38	395	-	200	-	14	-
	2	50	178	191	216	51	400	-	200	-	19	-
	2 1/2	65	191	203	241	64	435	-	200	-	25	-
	3	80	203	216	283	76	515	-	250	-	33	-
	4	100	229	241	305	102	595	-	280	-	49	-
	5	125	254	267	381	127	725	-	280	-	62	-
	6	150	267	279	403	152	780	820	300	310	77	104
	8	200	292	305	419	203	975	1020	350	310	123	150
	10	250	330	343	457	254	1150	1200	400	310	188	215
	12	300	356	368	502	305	1380	1430	450	310	288	315
	14	350	381	394	572	337	1545	1580	500	310	385	435
	16	400	406	419	610	387	1733	1780	500	460	500	552
	18	450	432	445	660	438	1915	1990	500	460	601	653
	20	500	457	470	711	489	2122	2220	600	460	764	816
	24	600	508	521	813	591	2520	2600	600	460	1007	1185
	26	650	559	-	864	633	-	2800	-	600	-	1550
	28	700	610	-	914	684	-	3050	-	600	-	1880
30	750	610	-	914	735	-	3130	-	600	-	2300	
32	800	711	-	965	779	-	3280	-	600	-	2550	
34	850	762	-	1016	830	-	3500	-	600	-	2950	
36	900	711	-	1016	874	-	3720	-	600	-	3390	