

# Check Valve



## ◆ Cast steel check valve design structure and feature

Design and manufacture conform to ASME B 16.5 ,API 594,API 6D & BS 1868  
Test and check conform to API 598.

## ◆ Adopt the following structure

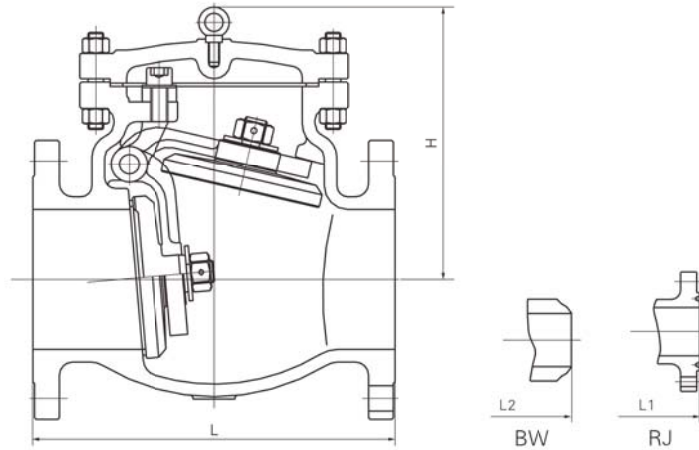
Inside rocker  
Renewable seat  
Bolted bonnet, spiral would eight-square gasket sealing  
bonnet or pressure seal bonnet

## ◆ According to the following standard

Flange ends conform to ASME B 16.5  
Butt-welding end conform to ASME B 16.25  
Face to face dimension conform to ASME B 16.10



# Check Valve



## CL150

Spec (NAP)	in	2	2 1/2	3	4	5	6	8	10	12	14	16	18	20	24	28	30
Face to face(mm)	L	203	216	241	292	330	356	495	622	698	787	864	978	978	1295	1448	1524
	L1	216	229	254	305	343	369	508	635	711	800	877	991	991	1308	-	-
	L2	203	216	241	292	330	356	495	622	699	787	864	978	978	1295	1448	1524
Center height(mm)	H	145	160	180	210	250	292	360	400	465	524	620	690	720	740	850	1005
Weight (Kg)		17	20	25	40	67	93	134	199	305	370	542	750	900	1200	1750	2100

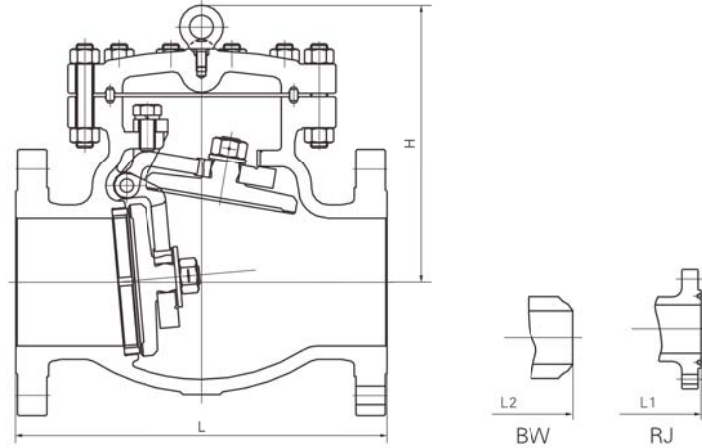
## CL300

Spec (NAP)	in	2	2 1/2	3	4	5	6	8	10	12	14	16	18	20	24	28	30
Face to face(mm)	L	267	292	318	356	400	444	533	622	711	838	864	978	1016	1346		
	L1	283	308	334	372	416	460	549	638	727	854	880	994	1035	1368		
	L2	267	292	318	356	400	444	533	622	711	838	864	978	1016	1346		
Center height(mm)	H	158	180	200	228	285	315	385	432	490	552	625	676	742	810		
Weight (Kg)		23	37	46	71	100	118	202	296	428	583	754	935	1155	1408		

## CL600

Spec (NAP)	in	2	2 1/2	3	4	5	6	8	10	12	14	16	18	20	24	28	30
Face to face(mm)	L	292	330	356	432	508	559	660	787	838	889	991	1092	1194	1397		
	L1	295	333	359	435	511	562	663	790	841	892	994	1095	1200	1407		
	L2	292	330	356	432	508	559	660	787	838	889	991	1092	1194	1397		
Center height(mm)	H	170	188	238	290	325	355	415	478	540	580	670	786	845	940		
Weight (Kg)		26	32	49	86	165	252	429	557	670	944	1300	1760	2200	2864		

# Check Valve



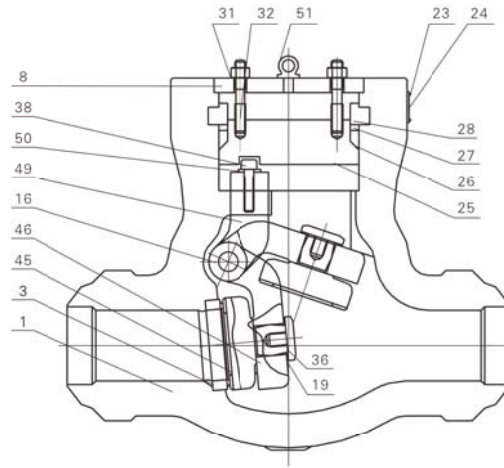
## CL900

Spec (NAP)	in	2	2 1/2	3	4	5	6	8	10	12	14	16	18	20	24	
Face to face(mm)	L	368	419	381	457	559	610	737	838	965	1029	1130				
	L1	371	422	384	460	562	613	740	841	968	1039	1140				
	L2	368	419	381	457	559	610	737	838	965	1059	1130				
Center height(mm)	H	200	260	285	324	370	424	522	545	590	640	700				
Weight (Kg)		58	76	100	140	217	294	700	724	870	1254	1800				

## CL1500

Spec (NAP)	in	2	2 1/2	3	4	5	6	8	10	12	14	16	18	20	24	
Face to face(mm)	L	368	419	470	546	673	705	832	991	1130	1257	1384				
	L1	371	422	473	549	676	711	842	1001	1146	1276	1406				
	L2	368	419	470	546	673	705	832	991	1130	1257	1384				
Center height(mm)	H	200	270	285	353	402	470	561	660	750	850	955				
Weight (Kg)		66	84	123	192	320	481	760	1058	1440	1745	2500				

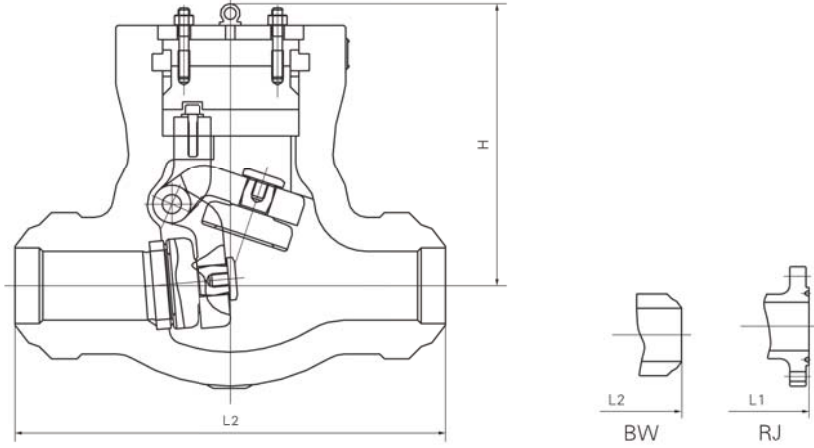
# Check Valve



## Main parts material sheet

Item	Part name	WCB	WC6	WC9	CF8	CF8M
1	Body	A216 WCB	A217 WC6	A217 WC9	A351 CF8	A351 CF8M
3	seat	A105/STL.6	A182 F11/STL.6	A182 F22/STL.6	A182 F304	A182 F316
8	Bonnet	A216 WCB	A216 WCB	A216 WCB	A351 CF8	A351 CF8
16	Pin	A276 410	A276 304	A276 304	A276 304	A276 316
19	止定螺钉	A193 B8	A193 B8	A193 B8	A193 B8	A193 B8
23	Nameplate	AISI 304	AISI 304	AISI 304	AISI 304	AISI 304
24	Rivet	AL	AL	AL	AL	AL
25	Pressure seal seat	A105	A182 F11	A182 F22	A182 F304	A182 F316
26	Pressure seal gasket	304+flexible graphite				
27	Pressure seal ring	A182 F6a	A182 F6a	A182 F6a	A182 F304	A182 F316
28	Segment ring	A182 F6a	A182 F11	A182 F22	A182 F304	A182 F316
31	Hanger bolt	A193 B7	A193 B7	A193 B7	A193 B8	A193 B8
32	Nut	A194 2H	A194 2H	A194 2H	A194 8	A194 8
36	Disc cover	A182 F6a	A182 F304	A182 F304	A182 F304	A182 F304
38	Hex. Bolt	A193 B8	A193 B8	A193 B8	A193 B8	A193 B8
45	Disc	A105/STL.6	A182 F11/STL.6	A182 F22/STL.6	A182 F304	A182 F316
46	Rocker	A216 WCB	A217 WC6	A217 WC9	A351 CF8	A351 CF8M
49	Roke	A216 WCB	A217 WC6	A217 WC9	A351 CF8	A351 CF8M
50	Flexible washer	17-4PH	17-4PH	17-4PH	17-4PH	17-4PH
51	Hanger screw	A193 B7	A193 B7	A193 B7	A193 B7	A193 B7

# Check Valve



## CL900

Spec (NAP)	in	2	2 1/2	3	4	6	8	10	12	14	16
Face to face(mm)	L	368	419	381	457	610	737	838	965	1029	1130
	L1	371	422	384	460	613	740	841	968	1039	1140
	L2	216	254	305	356	508	660	787	914	991	1092
Center height(mm)	H	215	245	292	318	400	464	517	592	640	700
Weight (Kg)		25	35	46	68	170	460	700	1020	1220	1350

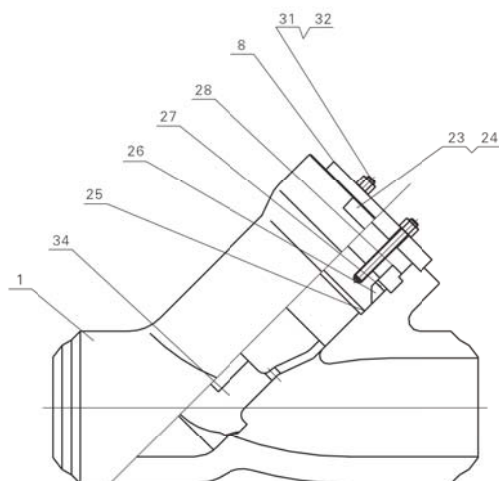
## CL1500

Spec (NAP)	in	2	2 1/2	3	4	6	8	10	12	14	16
Face to face(mm)	L	368	419	470	546	705	832	991	1130	1257	1384
	L1	371	422	473	549	711	842	1001	1146	1276	1406
	L2	216	254	305	406	559	711	864	991	1067	1194
Center height(mm)	H	245	265	300	342	438	534	578	648	700	770
Weight (Kg)		26	36	50	80	290	490	750	1110	1415	1605

## CL2500

Spec (NAP)	in	2	2 1/2	3	4	6	8	10	12	14	16
Face to face(mm)	L	451	508	578	673	914	1022	1270	1422		
	L1	454	514	584	683	927	1038	1292	1445		
	L2	279	330	368	457	610	762	914	1041		
Center height(mm)	H	250	280	308	352	440	540	580	660		
Weight (Kg)		60	85	100	165	460	900	1300	1800		

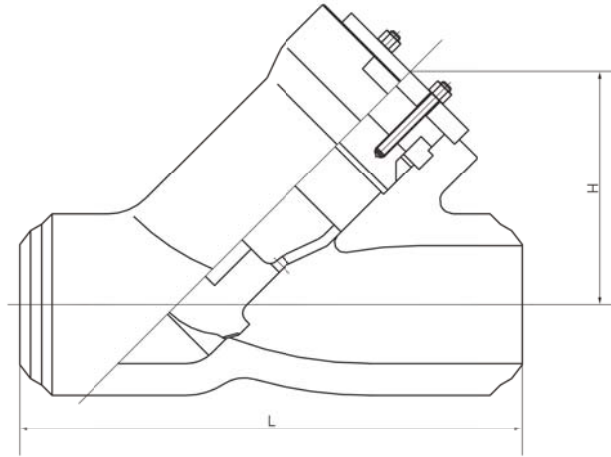
# Check Valve



## Main parts material sheet

Item	Part name	WCB	WC6	WC9	CF8	CF3M	CE3MN
1	Body	A216 WCB	A217 WC6	A217 WC9	A351 CF8	A351 CF3M	CE3MN
8	Bonnet	A216 WCB	A216 WCB	A216 WCB	A351 CF8	A351 CF8	A351 CF8
23	Nameplate	AISI 304	AISI 304	AISI 304	AISI 304	AISI 304	AISI 304
24	Rivet	AL	AL	AL	AL	AL	AL
25	Pressure seal seat	A105	A182 F11	A182 F22	A182 F304	A182 F316L	A182 F53
26	Pressure seal gasket	304+flexible graphite					
27	Pressure seal ring	A182 F6a	A182 F6a	A182 F6a	A182 F304	A182 F316L	A182 F53
28	Segment ring	A182 F6a	A182 F11	A182 F22	A182 F304	A182 F316L	A182 F53
31	Hanger bolt	A193 B7	A193 B7	A193 B7	A193 B8	A193 B8M	A193 B8M
32	Nut	A194 2H	A194 2H	A194 2H	A194 8	A194 8M	A194 8M
34	Disc	A105	A182 F11	A182 F22	A182 F304	A182 F316L	A182 F53

# Check Valve



## CL600

Spec (NAP)	in	6	8	10	12	14	16	18	20
Face to face(mm)	L	457	584	711	813	813	1041	1041	1524
Center height(mm)	H	406	508	635	822	822	1054	1054	1194
Weight (Kg)		182	272	454	658	658	1270	1270	1588

Spec (NAP)	in	8 x 6 x 8	10 x 8 x 10	12 x 10 x 12	14 x 12 x 14	16 x 14 x 16	18 x 16 x 18	20 x 18 x 20	22 x 20 x 22
Face to face(mm)	L	457	584	711	813	813	1041	1041	1524
Center height(mm)	H	406	508	635	822	822	1054	1054	1194
Weight (Kg)		182	303	506	724	724	1397	1397	1770

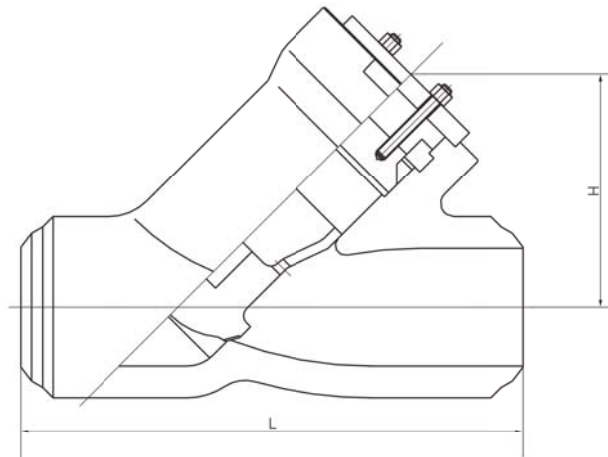
## CL900

Spec (NAP)	in	6	8	10	12	14
Face to face(mm)	L	705	762	921	1041	1092
Center height(mm)	H	457	598	716	891	891
Weight (Kg)		182	284	527	718	718

Spec (NAP)	in	8 x 6 x 8	10 x 8 x 10	12 x 10 x 12	14 x 12 x 14	16 x 14 x 16
Face to face(mm)	L	705	762	921	1041	1092
Center height(mm)	H	457	598	716	891	891
Weight (Kg)		182	316	582	795	794



# Check Valve



## CL1500

Spec (NAP)	in	6	8	10	12	14	16	18	20
Face to face(mm)	L	705	762	921	1041	1092	1372	1600	1600
Center height(mm)	H	457	598	716	891	891	1129	1129	1129
Weight (Kg)		182	284	527	718	718	1397	1420	1782

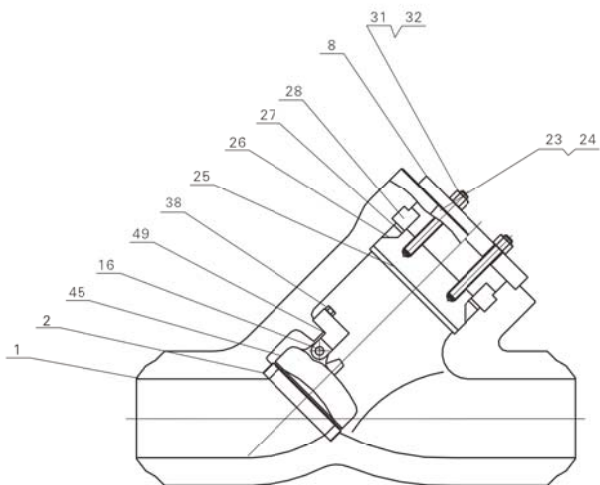
Spec (NAP)	in	8 x 6 x 8	10 x 8 x 10	12 x 10 x 12	14 x 12 x 14	16 x 14 x 16	18 x 16 x 18	20 x 18 x 20	22 x 20 x 22
Face to face(mm)	L	705	762	921	1041	1092	1372	1600	1384
Center height(mm)	H	457	598	716	891	891	1129	1129	1332
Weight (Kg)		182	316	582	795	794	1534	1560	1977

## CL2500

Spec (NAP)	in	6	8	10	12	14
Face to face(mm)	L	610	762	914	1041	1238
Center height(mm)	H	521	612	761	879	948
Weight (Kg)		245	300	585	863	1380

Spec (NAP)	in	8 x 6 x 8	10 x 8 x 10	12 x 10 x 12	14 x 12 x 14	16 x 14 x 16
Face to face(mm)	L	610	762	914	1041	1238
Center height(mm)	H	521	612	761	879	948
Weight (Kg)		245	329	594	595	1530

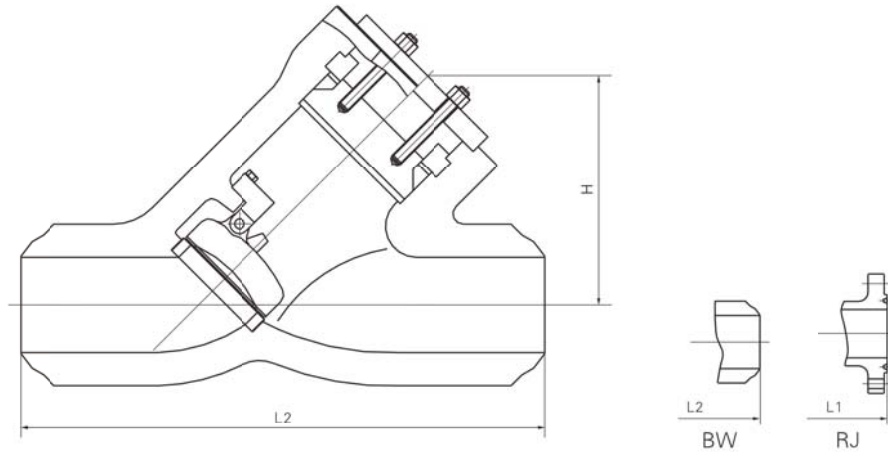
# Check Valve



## Main parts material sheet

Item	Part name	WCB	WC6	WC9	CF8	CF3M	CE3MN
1	Body	A216 WCB	A217 WC6	A217 WC9	A351 CF8	A351 CF3M	CE3MN
2	Seat	A105	A182 F11	A182 F22	A182 F304	A182 F316L	A182 F53
8	Bonnet	A216 WCB	A216 WCB	A216 WCB	A351 CF8	A351 CF8	A351 CF8
16	Pin	A276 410	A276 410	A276 410	A276 304	A276 316L	A276 F53
23	Nameplate	AISI 304	AISI 304	AISI 304	AISI 304	AISI 304	AISI 304
24	Rivet	AL	AL	AL	AL	AL	AL
25	Pressure seal seat	A105	A182 F11	A182 F22	A182 F304	A182 F316L	A182 F53
26	Pressure seal gasket	304+flexible graphite					
27	Pressure seal ring	A182 F6a	A182 F6a	A182 F6a	A182 F304	A182 F316L	A182 F53
28	Segment ring	A182 F6a	A182 F11	A182 F22	A182 F304	A182 F316L	A182 F53
31	Hanger bolt	A193 B7	A193 B7	A193 B7	A193 B8	A193 B8M	A193 B8M
32	Nut	A194 2H	A194 2H	A194 2H	A194 8	A194 8M	A194 8M
45	Disc	A105	A182 F11	A182 F22	A182 F304	A182 F316L	A182 F53
49	Roke	A216 WCB	A217 WC6	A217 WC9	A351 CF8	A351 CF3M	CE3MN

# Check Valve



## CL900

Spec (NAP)	in	2	2.5	3	4	6	8	10	12	14	16	18	20
Face to face(mm)	L	254	254	304	355	508	660	787	914	990	1092	1219	1320
	L1	381	381	381	457	609	736	838	965	1028	1130	1219	1320
	L2	384	384	384	460	612	739	841	968	1039	1140	1232	1333
Center height(mm)	H	190	190	190	190	241	304	381	419	457	501	596	660
Weight (Kg) weld		20	20	20	23	59	109	213	326	408	589	834	1102
Weight (Kg) flange		50	50	50	68	159	276	473	662	907	1179	1655	2143

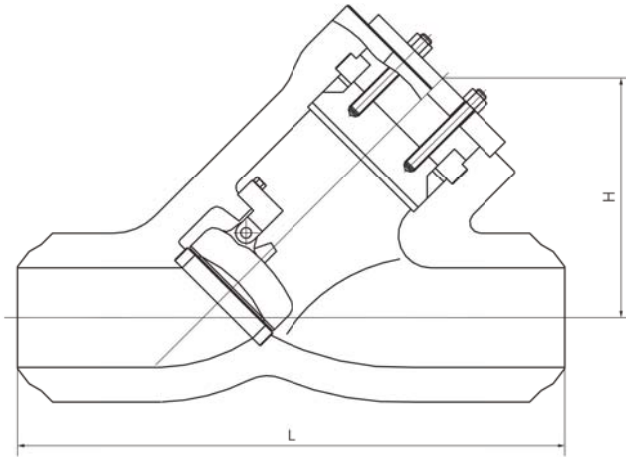
Spec (NAP)	in	8 x 6 x 8	10 x 8 x 10	12 x 10 x 12	14 x 12 x 14	16 x 14 x 16	18 x 16 x 18	20 x 18 x 20
Face to face(mm)	L	609	736	838	965	1028	1130	1219
Center height(mm)	H	241	304	381	419	457	501	596
Weight (Kg)		63	113	219	335	421	612	857

## CL1500

Spec (NAP)	in	2	2.5	3	4	6	8	10	12
Face to face(mm)	L	254	254	304	406	558	711	863	990
	L1	469	469	469	546	704	831	990	1130
	L2	473	473	473	549	711	841	1000	1146
Center height(mm)	H	196	196	196	215	266	342	419	469
Weight (Kg) weld		25	25	25	36	91	182	326	499
Weight (Kg) flange		68	68	68	99	235	424	725	1088

Spec (NAP)	in	8 x 6 x 8	10 x 8 x 10	12 x 10 x 12	14 x 12 x 14
Face to face(mm)	L	705	831	990	1130
Center height(mm)	H	266	342	419	469
Weight (Kg)		99	195	340	517

# Check Valve



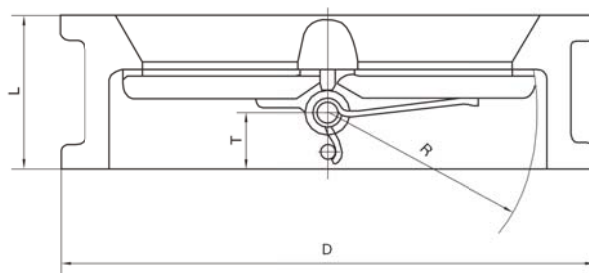
## CL2500

Spec (NAP)	in	2	2.5	3	4	6	8	10	12	14	16	18	20
Face to face(mm)	<b>L</b>	330	330	368	457	610	762	914	1041	1117	1219	1346	1447
Center height(mm)	<b>H</b>	203	203	203	304	330	406	457	533	584	660	711	787
Weight (Kg) weld		36	26	26	50	145	281	520	725	975	1247	1587	1927
Weight (Kg) flange		113	113	113	159	445	694	1429	2068	2227	2590	2864	3272

Spec (NAP)	in	8 x 6 x 8	10 x 8 x 10	12 x 10 x 12	14 x 12 x 14	16 x 14 x 16	18 x 16 x 18	20 x 18 x 20
Face to face(mm)	<b>L</b>	711	863	1009	1041	1117	1244	1511
Center height(mm)	<b>H</b>	330	406	457	533	584	660	711
Weight (Kg)		154	290	544	752	1011	1292	1950



# Check Valve



In order to settle the problem that exist in traditional valve, our company based on API and DIN standard and combine with our company many year's experiment in valve design field to develop wafer double swing check valve and wafer lift check valve series products that have be wildly used in petrochemical, metallurgy, power station, light industry, food etc field.

## Structure feature

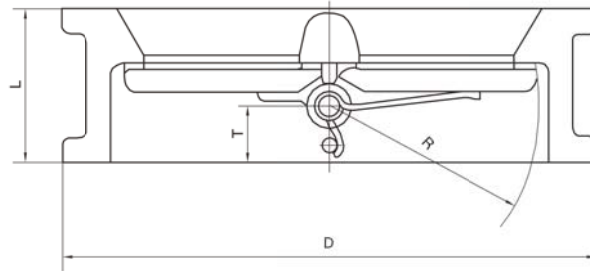
- 1、 Structure more Shorten
- 2、 Volumes more small and weight more light
- 3、 Quickly close and water hammer small
- 4、 Easy to be installed in vertical or horizontal
- 5、 Little Flow instance
- 6、 Action quick and sealing performance well
- 7、 Longer using life and more realizabe



## Main parts material sheet

Item	Part name	WCB	CF8	CF3	CF3M	CE3MN
1	Body	A216 WCB	A351 Cf8	A351 Cf3	A351 CF3M	A351 CE3MN
7	Gasket	Graphite	Graphite	Graphite	Graphite	Graphite
8	Hinge pin	410	304	304L	316L	F53
23	Nameplate	304	304	304	304	304
24	Rivet	AL	AL	AL	AL	AL
50	Hex. Bolt	A193 B8	A193 B8	A193 B8	A193 B8M	A193 B8M
51	Hanger screw	A193 B7	A193 B7	A193 B7	A193 B7	A193 B7
53	Spring	17-4PH	17-4PH	17-4PH	17-4PH	Inconel
54	Disc	A351 CF8	A351 CF8	A351 CF3	A351 CF3M	CE3MN

# Check Valve



## CL150

Spec (NAP)	in	2	2 1/2	3	4	5	6	8	10	12	14	16	18	20	24	28	30	32
Face to face(mm)	<b>L</b>	60	67	73	73	86	98	127	146	181	184	191	203	219	222	305	305	305
Center height(mm)	<b>H</b>	103	122	135	173	195	220	277	337	47	448	512	547	604	715	773	824	878
Weight (Kg)		2	3	4	6	8	13	25	39	54	80	117	138	163	331	380	878	560

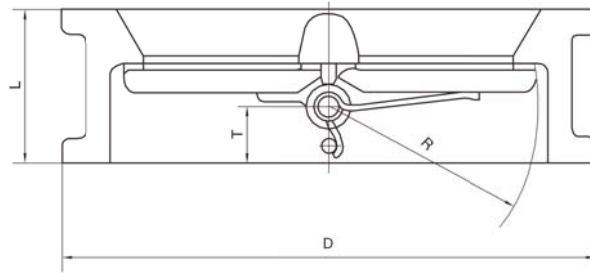
## CL300

Spec (NAP)	in	2	2 1/2	3	4	5	6	8	10	12	14	16	18	20	24	28	30	32
Face to face(mm)	<b>L</b>	60	67	73	73	86	98	127	146	181	222	232	264	292	318	-	368	-
Center height(mm)	<b>H</b>	110	128	147	179	214	249	305	359	420	483	537	594	652	722	-	882	-
Weight (Kg)		3	4	6	8	15	18	51	51	77	117	190	200	265	410	-	660	-

## CL600

Spec (NAP)	in	2	2 1/2	3	4	5	6	8	10	12	14	16	18	20	24	28	30	32
Face to face(mm)	<b>L</b>	60	67	73	79	105	136	165	213	229	273	305	362	368	438	-	-	-
Center height(mm)	<b>H</b>	110	128	147	191	239	264	318	398	455	490	562	610	680	786	-	-	-
Weight (Kg)		4	5	8	11	20	26	55	95	140	223	360	395	518	836	-	-	-

# Check Valve



## CL900

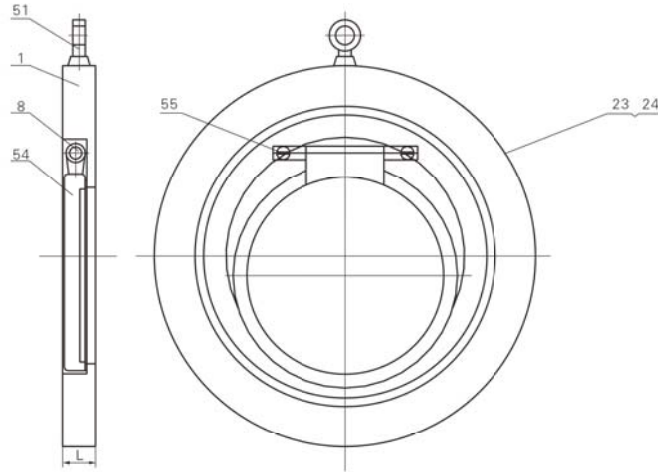
Spec (NAP)	in	2	2 1/2	3	4	5	6	8	10	12	14	16	18	20	24	28	30	32
Face to face(mm)	L	70	83	83	102	110	159	206	241	292	356	384	451	451	495	-	-	-
Center height(mm)	H	140	162	165	204	245	286	356	432	495	518	572	635	695	835	-	-	-
Weight (Kg)		8	11	14	20	30	42	84	145	220	350	470	605	820	1050	-	-	-

## CL1500

Spec (NAP)	in	2	2 1/2	3	4	5	6	8	10	12	14	16	18	20	24	28	30	32
Face to face(mm)	L	70	83	83	102	110	159	206	248	305	356	384	-	-	-	-	-	-
Center height(mm)	H	140	162	172	207	252	280	350	433	518	576	639	-	-	-	-	-	-
Weight (Kg)		8	11	19	26	51	68	130	210	384	550	635	-	-	-	-	-	-



# Check Valve



## Main parts material sheet

Item	Part name	WCB	CF8	CF3	CF3M	CE3MN
1	Body	A216 WCB	A351 CF8	A351 CF3	A351 CF3M	CE3MN
8	Bonnet	410	304	304L	316L	F53
23	Nameplate	304	304	304	304	304
24	Rivet	AL	AL	AL	AL	AL
51	Hanger bolt	A193 B7	A193 B7	A193 B7	A193 B7	A193 B7
54	Disc	A351 CF8	A351 CF8	A351 CF3	A351 CF3M	CE3MN
55	Dormant screw	A193 B8	A193 B8	A193 B8	A193 B8M	A193 B8M

## CL150

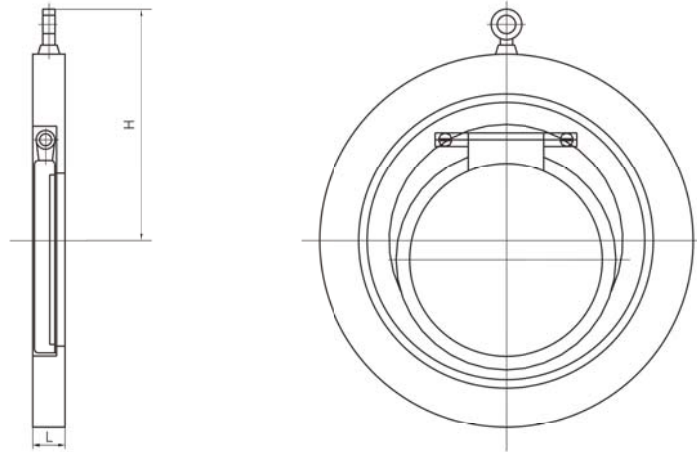
Spec (NAP)	in	2	2 1/2	3	4	6	8	10	12	14	16	18	20	24
Face to face(mm)	L	114	127	140	165	280	305	330	356	381	406	432	457	508
Center height(mm)	H	90	105	121	147	170	210	245	280	320	365	420	470	510

## CL300

Spec (NAP)	in	2	2 1/2	3	4	6	8	10	12	14	16	18	20	24
Face to face(mm)	L	114	127	140	165	280	305	330	356	381	406	432	457	508
Center height(mm)	H	110	120	130	147	175	220	257	305	340	385	430	475	252



# Check Valve



## CL600

Spec (NAP)	in	2	2 1/2	3	4	6	8	10	12	14	16	18	20	24
Face to face(mm)	L	152	170	190	229	280	318	330	356	381	406	432	457	508
Center height(mm)	H	111	128	134	147	189	234	275	3178	360	400	450	490	540

## CL1900

Spec (NAP)	in	2	2 1/2	3	4	6	8	10	12	14	16	18	20	24
Face to face(mm)	L	203	224	241	260	323	450	500	545	608	670	725	776	877
Center height(mm)	H	138	158	174	190	220	260	300	335	386	448	496	554	596

## CL1500

Spec (NAP)	in	2	2 1/2	3	4	6	8	10	12	14	16	18	20	24
Face to face(mm)	L	203	224	241	279	343	470	521	585	648	711	775	826	927
Center height(mm)	H	152	180	205	235	260	300	340	385	440	490	545	595	650