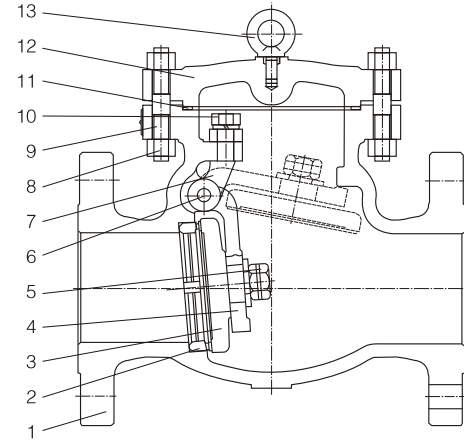
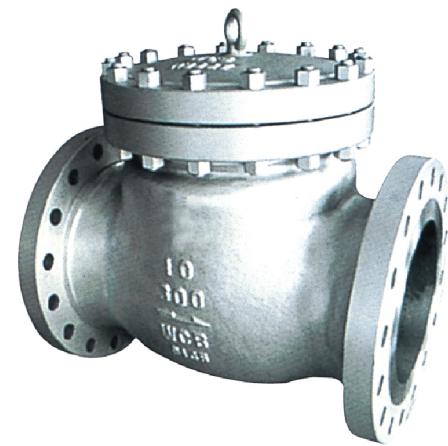
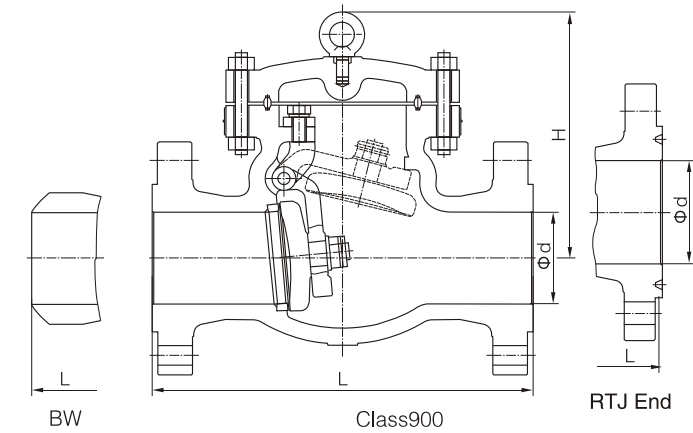


Cast Steel Swing Check Valve



Cast Steel Swing Check Valve



Technical Specification

Design and Manufacture: BS1868 or API 6D

Inspection and Test: API 598 or API 6D

End flange dimension: ASME B16.5, ASME B16.47 A, MSS SP-44; ASME B16.47 B, API 605

BW end dimension: ASME B16.25

Face to face and end to end: ASME B16.10

Pressure-temperature ratings: ASME B16.34

Wall thickness dimension: API 600 and BS 1868

Form of Major Part Material

Parts No.	Parts Name	Materials				
		WCB/Trim 1	WCB/Trim 5	WCB/Trim 8	CF8/304	CF8M/316
1	Body	ASTM A216 WCB	ASTM A216 WCB	ASTM A216 WCB	ASTM A351 CF8	ASTM A351 CF8M
2	Seat ring	A105 + 13Cr	A105 + STL	A105 + STL	ASTM A351 CF8	ASTM A351 CF8M
3	Disc	ASTM A216 WCB + 13Cr	ASTM A216 WCB + STL	ASTM A216 WCB + 13Cr	ASTM A351 CF8	ASTM A351 CF8M
4	Arm	ASTM A216 WCB	ASTM A216 WCB	ASTM A216 WCB	ASTM A351 CF8	ASTM A351 CF8M
5	Nut	ASTM A194 2H	ASTM A194 2H	ASTM A194 2H	ASTM A194 8	ASTM A194 8M
6	Arm pin	ASTM A182 F6a	ASTM A182 F6a	ASTM A182 F6a	ASTM A182 F304	ASTM A182 F316
7	Yoke	ASTM A216 WCB	ASTM A216 WCB	ASTM A216 WCB	ASTM A351 CF8	ASTM A351 CF8M
8	Bonnet nut	ASTM A194 2H	ASTM A194 2H	ASTM A194 2H	ASTM A194 8	ASTM A194 8M
9	Bonnet bolt	ASTM A193 B7	ASTM A193 B7	ASTM A193 B7	ASTM A193 B8	ASTM A193 B8M
10	Bolt	ASTM A193 B7	ASTM A193 B7	ASTM A193 B7	ASTM A193 B8	ASTM A193 B8M
11	Gasket	304 sheet + Graphite	304 sheet + Graphite	304 sheet + Graphite	304 + Graphite	316 + Graphite
12	Bonnet	ASTM A216 WCB	ASTM A216 WCB	ASTM A216 WCB	ASTM A351 CF8	ASTM A351 CF8M
13	Eye bolt	ASTM A181	ASTM A181	ASTM A181	ASTM A181	ASTM A181

Note: The chart above only lists out some common composition of steel check valve parts. We may provide other different parts material composition according to the customer's request or the actual valve working condition.

Class 900					
Dimensions(mm)					Weight (kg)
L			d	H	
RF	RTJ	BW			
368	371	368	51	200	48
419	422	419	64	220	75
381	384	381	76	280	95
457	460	457	102	320	135
559	562	559	127	360	200
610	613	610	152	400	264
737	740	737	203	480	424
838	841	838	254	560	730
965	968	965	305	632	1070
1029	1038	1029	322	680	1180
1130	1140	1130	373	780	1790
1219	1232	1219	423	880	250
1321	1334	1321	471	1050	3080
1549	1568	1549	522	1200	4600