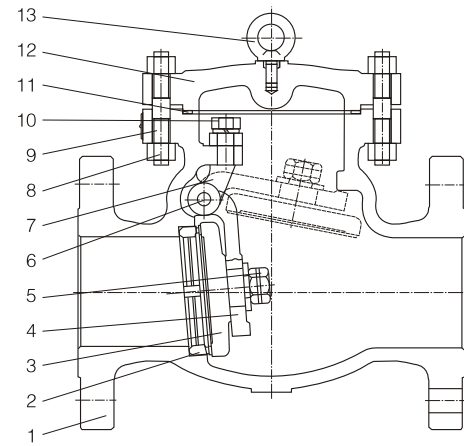
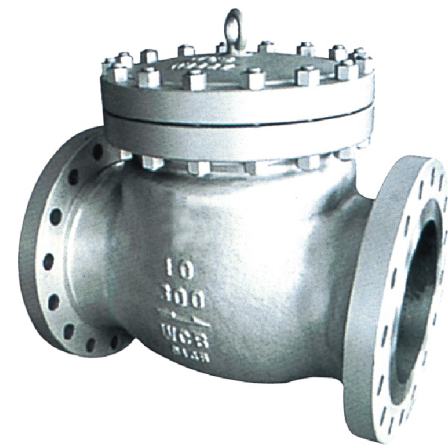


### Cast Steel Swing Check Valve



#### Technical Specification

Design and Manufacture: BS1868 or API 6D

Inspection and Test: API 598 or API 6D

End flange dimension: ASME B16.5, ASME B16.47 A, MSS SP-44; ASME B16.47 B, API 605

BW end dimension: ASME B16.25

Face to face and end to end: ASME B16.10

Pressure-temperature ratings: ASME B16.34

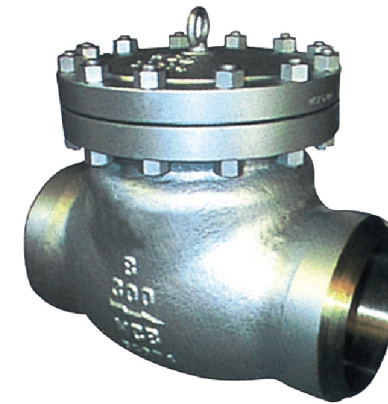
Wall thickness dimension: API 600 and BS 1868

#### Form of Major Part Material

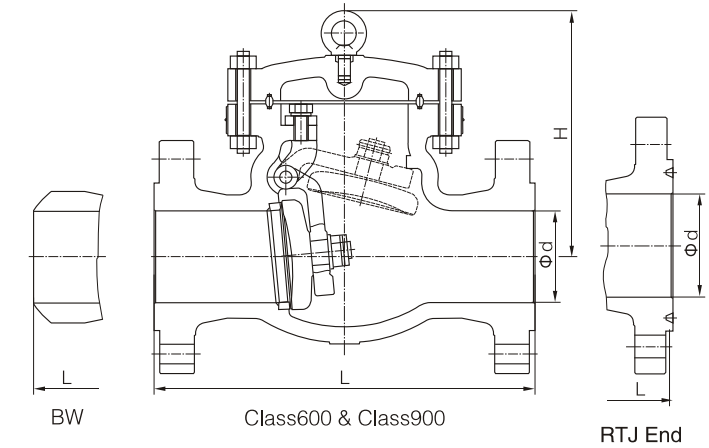
Parts No.	Parts Name	Materials				
		WCB/Trim 1	WCB/Trim 5	WCB/Trim 8	CF8/304	CF8M/316
1	Body	ASTM A216 WCB	ASTM A216 WCB	ASTM A216 WCB	ASTM A351 CF8	ASTM A351 CF8M
2	Seat ring	A105 + 13Cr	A105 + STL	A105 + STL	ASTM A351 CF8	ASTM A351 CF8M
3	Disc	ASTM A216 WCB + 13Cr	ASTM A216 WCB + STL	ASTM A216 WCB + 13Cr	ASTM A351 CF8	ASTM A351 CF8M
4	Arm	ASTM A216 WCB	ASTM A216 WCB	ASTM A216 WCB	ASTM A351 CF8	ASTM A351 CF8M
5	Nut	ASTM A194 2H	ASTM A194 2H	ASTM A194 2H	ASTM A194 8	ASTM A194 8M
6	Arm pin	ASTM A182 F6a	ASTM A182 F6a	ASTM A182 F6a	ASTM A182 F304	ASTM A182 F316
7	Yoke	ASTM A216 WCB	ASTM A216 WCB	ASTM A216 WCB	ASTM A351 CF8	ASTM A351 CF8M
8	Bonnet nut	ASTM A194 2H	ASTM A194 2H	ASTM A194 2H	ASTM A194 8	ASTM A194 8M
9	Bonnet bolt	ASTM A193 B7	ASTM A193 B7	ASTM A193 B7	ASTM A193 B8	ASTM A193 B8M
10	Bolt	ASTM A193 B7	ASTM A193 B7	ASTM A193 B7	ASTM A193 B8	ASTM A193 B8M
11	Gasket	304 sheet + Graphite	304 sheet + Graphite	304 sheet + Graphite	304 + Graphite	316 + Graphite
12	Bonnet	ASTM A216 WCB	ASTM A216 WCB	ASTM A216 WCB	ASTM A351 CF8	ASTM A351 CF8M
13	Eye bolt	ASTM A181	ASTM A181	ASTM A181	ASTM A181	ASTM A181

Note: The chart above only lists out some common composition of steel check valve parts. We may provide other different parts material composition according to the customer's request or the actual valve working condition.

### Cast Steel Swing Check Valve



#### Class 600



Size		Class 600					Weight (kg)
NPS	DN	Dimensions(mm)			d	H	
		RF	RTJ	BW			
2	50	292	295	292	51	170	28
2 1/2	65	330	333	330	64	178	40
3	80	356	359	356	76	246	68
4	100	432	435	432	102	290	117
5	125	508	511	508	127	320	155
6	150	559	562	559	152	360	192
8	200	660	664	660	203	430	340
10	250	787	791	787	254	502	515
12	300	838	841	838	305	554	750
14	350	889	892	889	337	595	890
16	400	991	994	991	387	680	1303
18	450	1092	1095	1092	438	778	1800
20	500	1194	1200	1194	489	970	2150
24	600	1397	1407	1397	591	1100	3200