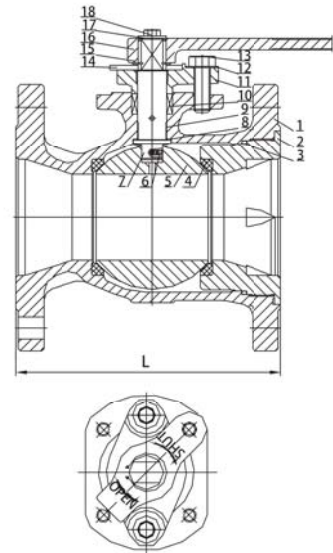


Ball Valves (Overall Dimensions)

Single Piece ball valve

Main part materials list

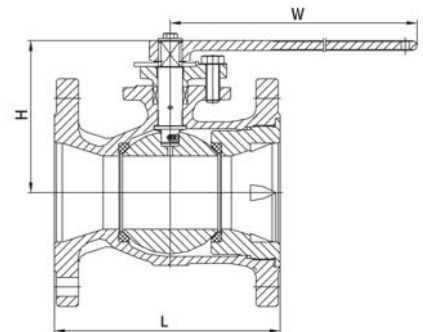
No	Part name	Material
1	Body	A216 WCB
2	Bonnet	A216 WCB
3	Gasket	PTFE/Graphite
4	Seat	RPTFE
5	Ball	A182 F304
6	Spring	304
	Ball	304
7	Stem	A182 F304
8	Gasket	PTFE
9	Stem bearing	PTFE
10	Gasket	PTFE/Graphite
11	Pocking	A216 WCB
12	washer	60Si2Mn
13	Screw	A193 B7
14	Stopper plate	1025+Zn
15	Back stop	65Mn
16	Lever	A216 WCB
17	Washer	304
18	Screw	A193 B7



CLASS150 Dimention chart

Unit(mm)

SIZE	DN	L	H	W
1/2	13	108	85	130
3/4X1/2	19	117	85	130
1/4	19	117	90	130
1X1/4	25	127	90	130
1	25	127	100	185
1 1/2X1	32	140	100	185
1 1/4	32	140	105	185
1 1/2X1 1/4	38	165	105	185
1 1/2	38	165	120	250
2X1 1/2	49	178	120	250
2 1/2X2	62	190	130	250
3X2 1/2	74	203	155	365
4X3	100	229	165	365
6X4	150	267	185	400
8X6	201	292	320	1050



CLASS300 Dimention chart

Unit(mm)

SIZE	DN	L	H	W
1/2	13	140	85	130
3/4X1/2	19	152	85	130
1/4	19	152	90	130
1X1/4	25	165	90	130
1	25	165	100	185
1 1/2X1	32	178	100	185
1 1/4	32	178	105	185
1 1/2X1 1/4	38	190	105	185
1 1/2	38	190	120	250
2X1 1/2	49	216	120	250
2 1/2X2	62	241	130	250
3X2 1/2	74	283	155	365
4X3	100	305	165	365
6X4	150	403	185	400
8X6	201	419	320	1050



Gear operation dimention chart

Unit(mm)

Class	150	300	Gear operator			
			H	W	B	A
bi	6	6	257	350	205	125
	8	8	306	355	320	185

