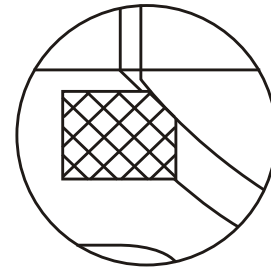
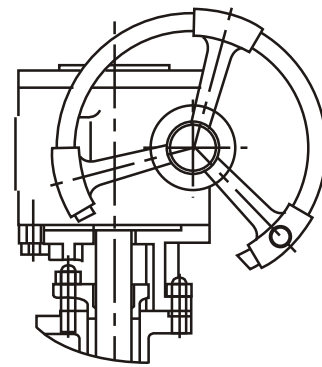


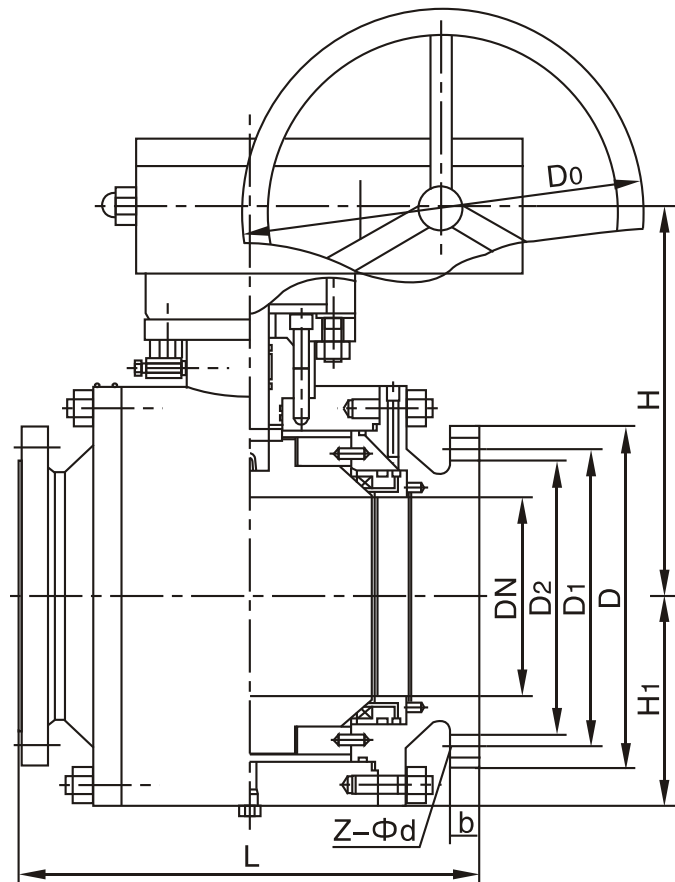
API ball valve



Fire durable



Worm gear operation



Production enforce standard

Product specification	Design spec	Face to face	Flange end	Test & check	Marking	Supply
	API 608 API 6D	ANSI B16.10 API 6D	ANSI B16.5	API 598 API 6D	MSS SP-25 API 6D	API 608 API 6D

Chief property and specification

Nominal pressure	150Lb	300Lb	400Lb	600Lb
Shell test pressure	3.1	7.5	10.2	15.0
Seal test	2.2	5.5	7.48	11.0
Seal test	0.5~0.7			
Applicable medium	C Water, oil, steam	P Nitric acid	R Acetic acid	
Applicable temperature	≤200°C			

Material for main parts

Parts name	WCB	CF8	CF3	CF8M	CF3M	
Body & body cap	A216-WCB	A315-CF8	A35-CF3	A351-CF8M	A351-CF3M	
Ball	B2-B8	A105-1025	A182-F304L	A182-F304L	A132-F316	A182-F316L
	B8以上	A216-WCB	A351-CF8M	A351-CF3	A351-CF8M	A351-CF3M
Steam	A182-F6a	A182-F304	A182-F304L	A182-F336	A182-F316L	
Seat	PTFE/Reinforced PTFE/Nyion					
Seat retainer	A105-1025	A182-F304	A182-F304L	A182-F316	A182-F316L	
Spring	3yc-7/17-49H					
O-ring	NBR	Viton				
Stud	A193-B7	A193-B8				
Nut	A194-2H	A194-8				

CLASS 600 A6B(3)41, (3)47, (3)67F(N.PPL).(P.R.V)

Unit: mm

DN	Main external and connection dimension												WT(Kg)	Remark
	d	L-RF	L-BW	D	D1	D2	b	f	N-Φ	H1	H2	D0		
1/2"	13	165	165	95	56.5	35	14.3	6.4	4-16	-	59	160	7.5	Float ball
3/4"	19	190	190	117	82.5	43	15.9	6.4	4-19	-	63	160	10.5	
1"	25	216	216	124	89	51	17.5	6.4	4-19	-	75	230	14.5	
1 1/2"	38	241	241	156	114.5	73	22.3	6.4	4-22	-	95	400	18.5	
2"	51	292	292	165	127	92	25.4	6.4	8-19	-	107	700	25	Fixing ball Float ball
4"	102	432	432	273	216	157.2	38	6.4	8-25	-	178	1100	76	
6"	152	559	559	355.6	282.1	216	47.2	6.4	12-29	250	300	600	127	
8"	203	660	660	419.5	349.2	269.8	55.7	6.4	12-32	294	374	800	350	Fixing ball
10"	254	787	787	508	431.8	324	63.5	6.4	16-35	370	445	800	660	
12"	305	838	838	559	489	381	66.5	6.4	20-35	420	515	800	820	
14"	337	889	889	603.2	527	413	69.8	6.4	20-38	460	550	800	1130	
16"	387	991	991	686	603.2	470	76.2	6.4	20-41	505	615	800	1550	
20"	489	1194	1194	818	724	584.2	89	6.4	24-44.5	630	810	800	2800	
24"	591	1394	1394	940	838.2	692.2	101.6	6.4	24-51	825	1010	800	5300	
26"	686	1549	1549	1073	965.2	800	111.3	6.4	28-55	970	1180	800	6500	