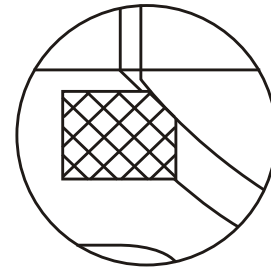
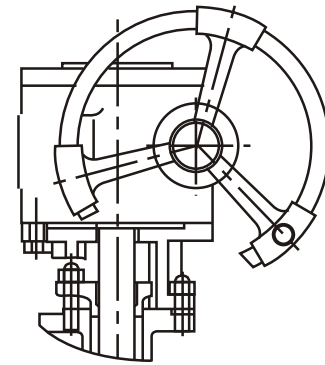


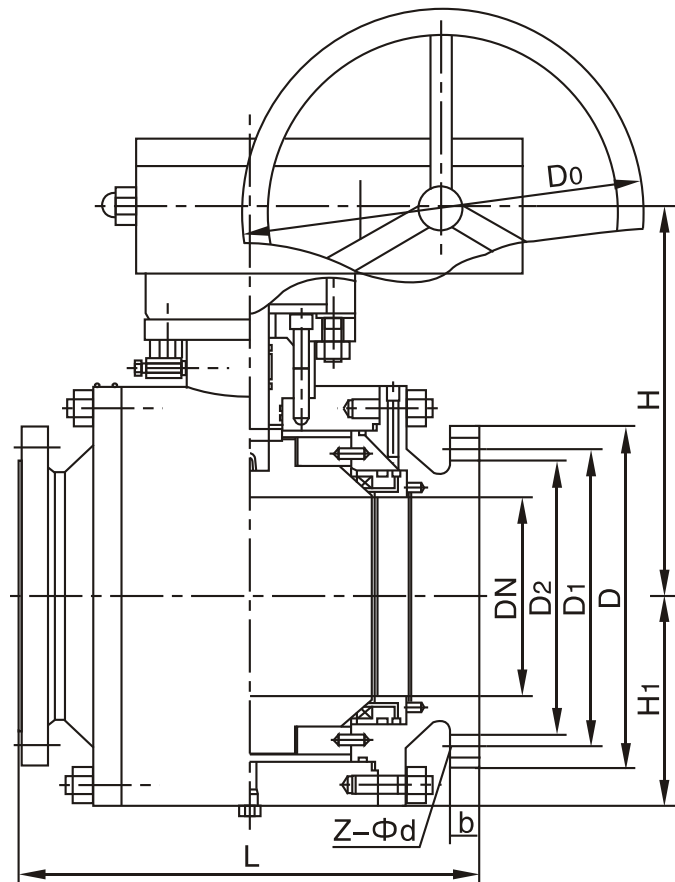
API ball valve



Fire durable



Worm gear operation



Production enforce standard

Product specification	Design spec	Face to face	Flange end	Test & check	Marking	Supply
	API 608 API 6D	ANSI B16.10 API 6D	ANSI B16.5	API 598 API 6D	MSS SP-25 API 6D	API 608 API 6D

Chief property and specification

Nominal pressure	150Lb	300Lb	400Lb	600Lb
Shell test pressure	3.1	7.5	10.2	15.0
Seal test	2.2	5.5	7.48	11.0
Seal test	0.5~0.7			
Applicable medium	C Water, oil, steam	P Nitric acid	R Acetic acid	
Applicable temperature	≤200°C			

Material for main parts

Parts name	WCB	CF8	CF3	CF8M	CF3M	
Body & body cap	A216-WCB	A315-CF8	A35-CF3	A351-CF8M	A351-CF3M	
Ball	B2-B8	A105-1025	A182-F304L	A182-F304L	A132-F316	A182-F316L
	B8以上	A216-WCB	A351-CF8M	A351-CF3	A351-CF8M	A351-CF3M
Steam	A182-F6a	A182-F304	A182-F304L	A182-F336	A182-F316L	
Seat	PTFE/Reinforced PTFE/Nyion					
Seat retainer	A105-1025	A182-F304	A182-F304L	A182-F316	A182-F316L	
Spring	3yc-7/17-49H					
O-ring	NBR	Viton				
Stud	A193-B7	A193-B8				
Nut	A194-2H	A194-8				

A1-6B(3)41, (3)47, (3)61, (3)67F

Main external and connection dimension

CLASS 400 A4B(3)41, (3)47, (3)67F(N.PPL).(P.R.V)

Unit: mm

DN	Main external and connection dimension												WT(Kg)	Remark
	d	L-RF	L-BW	D	D ₁	D ₂	b	f	N-Φ	H ₁	H ₂	D ₀		
1/2"	13	165	165	95	66.5	35	14.3	6.4	4-16	-	59	130	6.5	Float ball
3/4"	19	190	190	117	82.5	43	15.9	6.4	4-19	-	63	160	9	
1"	25	216	216	124	89	51	17.5	6.4	4-19	-	75	160	13	
1 1/2"	38	241	241	156	114.5	73	22.3	6.4	4-22	-	95	230	16.5	
2"	51	292	292	165	127	92	25.4	6.4	8-19	-	107	700	25	Fixing ball Float ball
4"	102	406	406	254	200	157.2	35	6.4	8-25	-	178	700	66	
6"	152	495	495	317.5	270	216	41	6.4	12-25	250	300	600	145	Fixing ball
8"	203	597	597	381	330	269.8	47.8	6.4	12-28.5	294	374	800	250	
10"	254	673	673	445	387.5	324	53.8	6.4	16-32	370	445	800	540	
12"	305	762	762	521	451	381	57	6.4	16-35	420	515	800	780	
14"	337	826	826	584	514.5	413	60.5	6.4	20-35	460	550	800	1000	
16"	387	902	902	648	571.5	470	63.5	6.4	20-38	505	615	800	1300	
20"	489	1054	1054	775	686	584.2	69.8	6.4	24-41	630	810	800	2100	
24"	591	1232	1232	915	812.8	692.2	76	6.4	24-48	685	845	800	3400	
26"	686	1397	1397	1035	939.8	800	95.3	6.4	28-51	860	1087	800	5000	