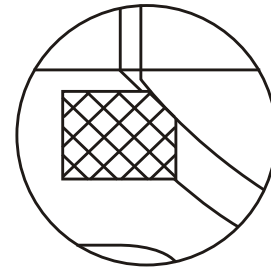
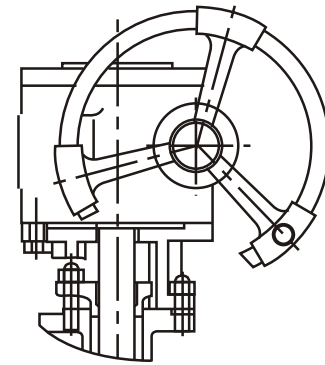


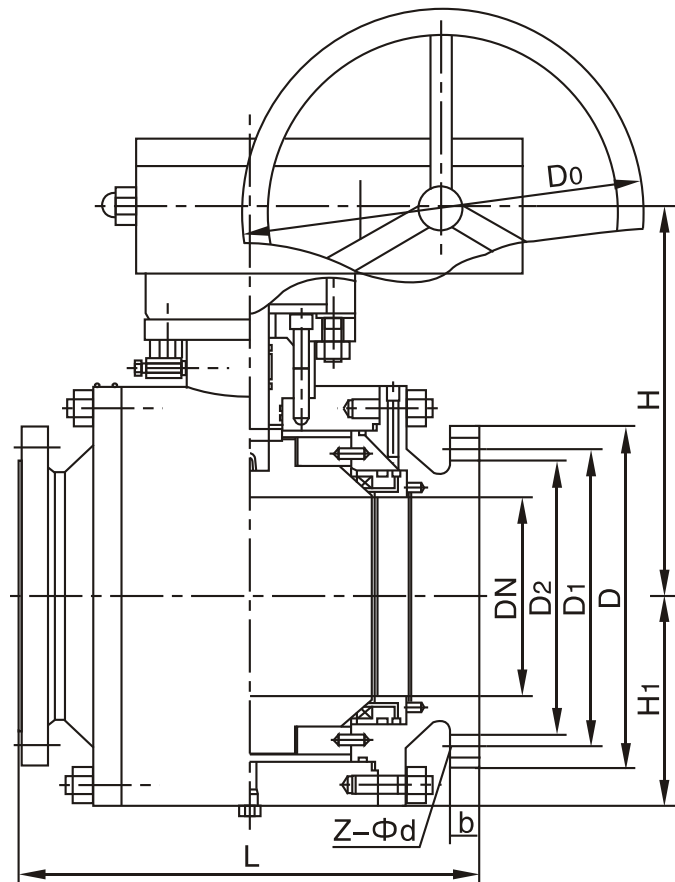
API ball valve



Fire durable



Worm gear operation



Production enforce standard

Product specification	Design spec	Face to face	Flange end	Test & check	Marking	Supply
	API 608 API 6D	ANSI B16.10 API 6D	ANSI B16.5	API 598 API 6D	MSS SP-25 API 6D	API 608 API 6D

Chief property and specification

Nominal pressure	150Lb	300Lb	400Lb	600Lb
Shell test pressure	3.1	7.5	10.2	15.0
Seal test	2.2	5.5	7.48	11.0
Seal test	0.5~0.7			
Applicable medium	C Water, oil, steam	P Nitric acid	R Acetic acid	
Applicable temperature	≤200°C			

Material for main parts

Parts name	WCB	CF8	CF3	CF8M	CF3M	
Body & body cap	A216-WCB	A315-CF8	A35-CF3	A351-CF8M	A351-CF3M	
Ball	B2-B8	A105-1025	A182-F304L	A182-F304L	A132-F316	A182-F316L
	B8以上	A216-WCB	A351-CF8M	A351-CF3	A351-CF8M	A351-CF3M
Steam	A182-F6a	A182-F304	A182-F304L	A182-F336	A182-F316L	
Seat	PTFE/Reinforced PTFE/Nyion					
Seat retainer	A105-1025	A182-F304	A182-F304L	A182-F316	A182-F316L	
Spring	3yc-7/17-49H					
O-ring	NBR	Viton				
Stud	A193-B7	A193-B8				
Nut	A194-2H	A194-8				

CLASS 300 A3B(3)41, (3)47, (3)67F(N.PPL).(P.R.V)

Unit: mm

DN	Main external and connection dimension												WT(Kg)	Remark
	d	L-RF	L-BW	D	D1	D2	b	f	N-Φ	H1	H2	D0		
1/2"	13	140	-	95	66.5	35	14.2	1.6	4-16	-	59	130	2.5	Float ball
3/4"	19	152	-	117	82.5	43	15.9	1.6	4-19	-	63	130	3.5	
1"	25	165	-	124	89	51	17.5	1.6	4-19	-	75	160	5.5	
1 1/2"	38	190	190	156	114.5	73	20.7	1.6	4-22	-	95	230	10.5	
2"	51	216	216	165	127	92	22.3	1.6	8-19	-	107	230	14.5	Fixing ball
2 1/2"	61	241	241	190	149	105	25.4	1.6	8-22	-	142	400	23.5	
3"	76	283	283	210	168	127	28.6	1.6	8-22	-	152	400	30.0	
4"	102	305	305	254	200	157	31.8	1.6	8-22	-	178	700	55.0	Float ball
5"	127	381	-	279	235	186	35	1.6	8-22	-	252	1100	81.0	
6"	52	403	457	318	270	216	36.5	1.6	12-22	-	272	1100	118.0	
8"	203	502	521	381	330	270	41.3	1.6	12-25	-	342	1500	200.00	
8"	203	502	521	381	330	270	41.3	1.6	12-25	-	398	600	220.2	Fixing ball
10"	254	568	559	444	387.5	324	17.7	1.6	16-29	335	495	600	365	
12"	305	648	635	520.8	451	381	50.8	1.6	16-32	385	580	800	530	
14"	337	762	762	584.2	514.5	412.8	53.8	1.6	20-32	430	625	800	740	
16"	387	838	838	647.8	571.5	469.9	57.2	1.6	20-35	470	720	800	1030	
20"	489	991	991	774.8	685.8	58.2	63.5	1.6	24-35	590	840	800	1540	
24"	591	1143	1143	914.4	812.8	692.2	69.8	1.6	24-41	700	1050	800	2600	
28"	686	1346	1346	1035	939.8	800.1	85.9	1.6	28-44.5	780	1150	800	3900	