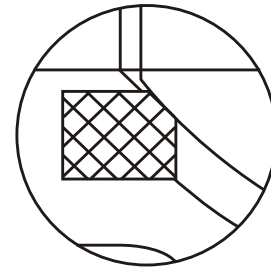
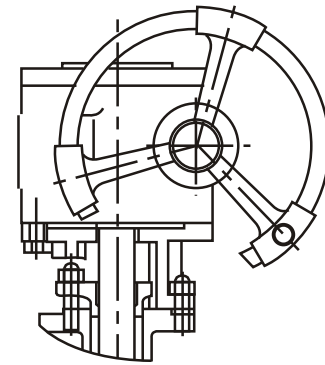


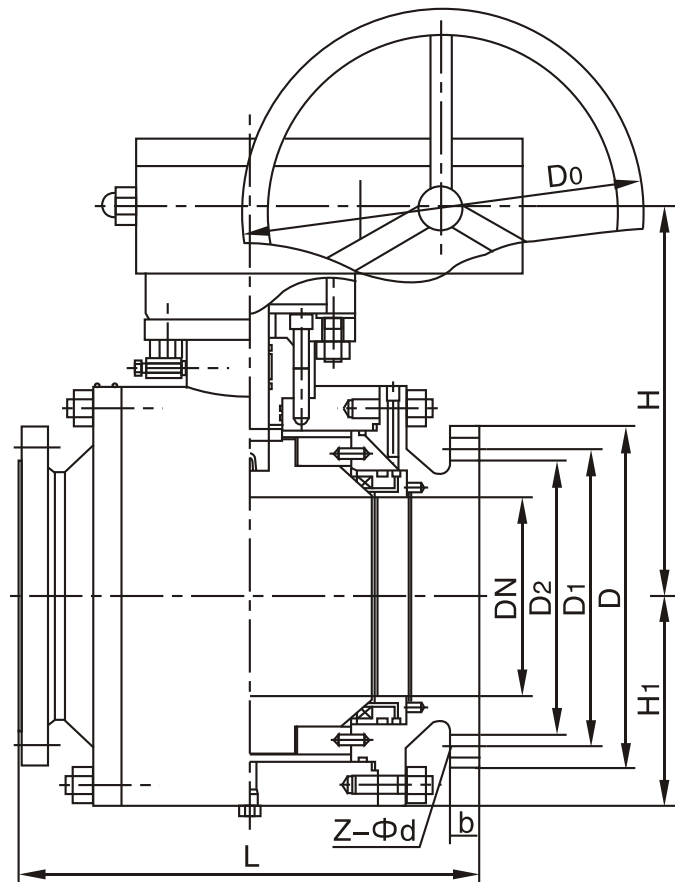
# API ball valve



Fire durable



Worm gear operation



### Production enforce standard

Product specification	Design spec	Face to face	Flange end	Test & check	Marking	Supply
	API 608 API 6D	ANSI B16.10 API 6D	ANSI B16.5	API 598 API 6D	MSS SP-25 API 6D	API 608 API 6D

### Chief property and specification

	150Lb	300Lb	400Lb	600Lb
Nominal pressure	150Lb	300Lb	400Lb	600Lb
Shell test pressure	3.1	7.5	10.2	15.0
Seal test	2.2	5.5	7.48	11.0
Seal test	0.5~0.7			
Applicable medium	C Water, oil, steam	P Nitric acid	R Acetic acid	
Applicable temperature	≤200°C			

### Material for main parts

Parts name	WCB	CF8	CF3	CF8M	CF3M	
Body & body cap	A216-WCB	A315-CF8	A35-CF3	A351-CF8M	A351-CF3M	
Ball	B2-B8	A105-1025	A182-F304L	A182-F304L	A132-F316	A182-F316L
	B8以上	A216-WCB	A351-CF8M	A351-CF3	A351-CF8M	A351-CF3M
Steam	A182-F6a	A182-F304	A182-F304L	A182-F336	A182-F316L	
Seat	PTFE/Reinforced PTFE/Nyion					
Seat retainer	A105-1025	A182-F304	A182-F304L	A182-F316	A182-F316L	
Spring	3yc-7/17-49H					
O-ring	NBR	Viton				
Stud	A193-B7	A193-B8				
Nut	A194-2H	A194-8				

A1-6B(3)41, (3)47, (3)61, (3)67F

**Main external and connection dimension**

**CLASS 150 A1B(3)41, (3)47, (3)61, (3)67F(N.PPL).(P.R.V)**

Unit: mm

DN	Main external and connection dimension												WT(Kg)	Remark
	d	L-RF	L-BW	D	D <sub>1</sub>	D <sub>2</sub>	b	f	N-Φ	H <sub>1</sub>	H <sub>2</sub>	D <sub>0</sub>		
1/2"	13	108	-	89	60.5	35	11.2	1.6	4-16	-	59	130	2.3	Float ball
3/4"	19	117	-	98	70	43	11.2	1.6	4-16	-	63	130	3.0	
1"	25	127	-	108	79.5	51	11.2	1.6	4-16	-	75	160	4.5	
1 1/2"	38	165	190	127	98.5	73	14.3	1.6	4-16	-	95	230	7.0	
2"	51	178	216	152	120.5	92	15.9	1.6	4-19	-	107	230	9.5	Fixing ball
2 1/2"	61	190	241	178	139.5	105	17.5	1.6	4-19	-	142	400	15.0	
3"	76	203	283	190	152.5	127	19.1	1.6	4-19	-	152	400	19.0	
4"	102	229	305	229	190.5	157	23.9	1.6	8-19	-	178	700	33.0	Float ball
5"	127	356	-	254	216	186	23.9	1.6	8-22	-	252	1100	58.0	
6"	52	394	457	279	241.5	216	54.5	1.6	8-22	-	272	1100	93.0	Fixing ball
8"	203	457	521	343	298.5	270	58.6	1.6	8-22	-	342	1500	160.0	
8"	203	457	521	343	298.5	270	28.6	1.6	8-22	-	398	600	180.0	
10"	254	533	559	406	362	324	30.2	1.6	12-25	335	495	600	240.0	
12"	305	610	635	482.6	431.8	381	31.8	1.6	12-25	385	580	800	390.0	Fixing ball
14"	337	686	762	535	476	412.8	35	1.6	12-29	430	625	800	510.0	
16"	387	162	838	597	539.5	469.9	36.6	1.6	16-29	470	720	800	750.0	
20"	489	914	991	698	635	58.2	42.9	1.6	20-32	590	840	800	1190	
24"	591	1067	1143	813	749.5	692.2	47.8	1.6	20-35	700	1050	800	2100	
26"	686	1245	1346	927.1	836.6	800.1	71.4	1.6	28-35	780	1150	800	3000	